

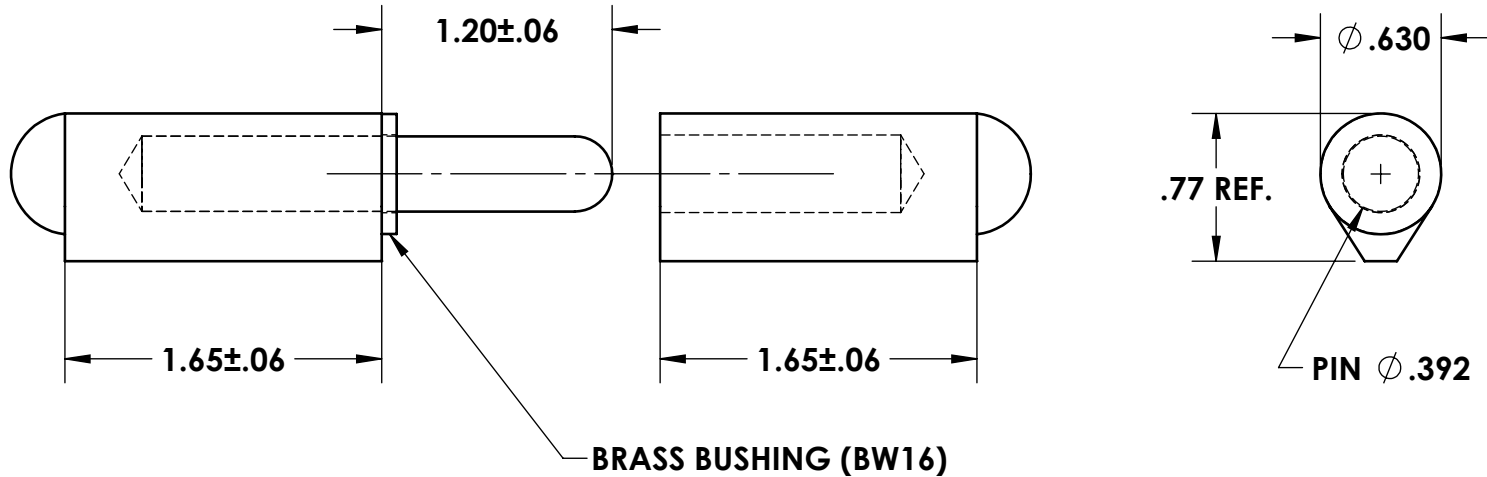
A
SIZE

PROJECTIONS



TOLERANCES UNLESS OTHERWISE SPECIFIED:

PLACES	INCHES	NOTES:
.XX	± .030	ACCEPTABLE BURR ± 10% OF MATERIAL THICKNESS
.XXX	± .015	ALL TOLERANCES ARE NON-CUMULATIVE
.XXXX	± .005	ALL DIMENSIONS APPLY TO PART BEFORE ANY
ANGLE	± 3°	FINISH IS APPLIED



NOTES:

1. FINISH: 00- NO FINISH
2. MATERIAL: BARREL = PS
PIN = BRASS
3. OVERALL ASSEM. LENGTH: APPROX. 3.94 INCHES

REV.	DESCRIPTION	DATE	APPD
D	PIN DIA.	08/06/2019	JG
C	CONVERTED	08/01/2017	JG
B	PIN TOLERANCE	10/10/2013	JG
A	1.65 WAS 1.63	02/23/2011	JG
REVISIONS			

DWG #:	
PBWM040FP	
MATERIAL: SEE NOTE	FINISH: SEE NOTE
DR. BY: RAG	CK. BY: CD
FAX: 1-631-737-2933 EMAIL: info@guden.com WEB: www.guden.com	

SCALE	1:1	CODE IDENT. #
DATE	03/09/1998	03007
99 RAYNOR AVE. RONKONKOMA, N.Y. 11779 1-800-3-HINGES		