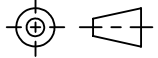


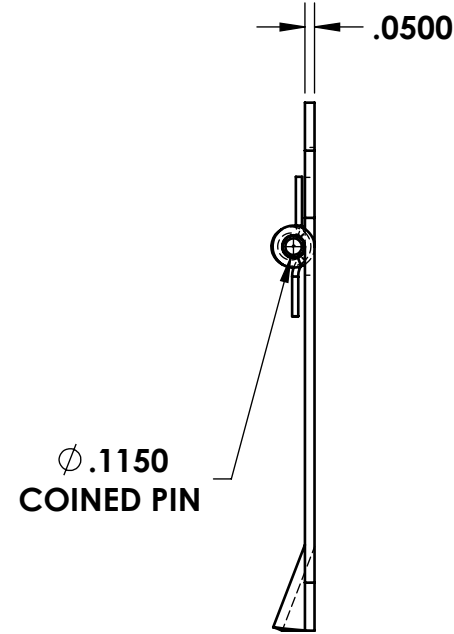
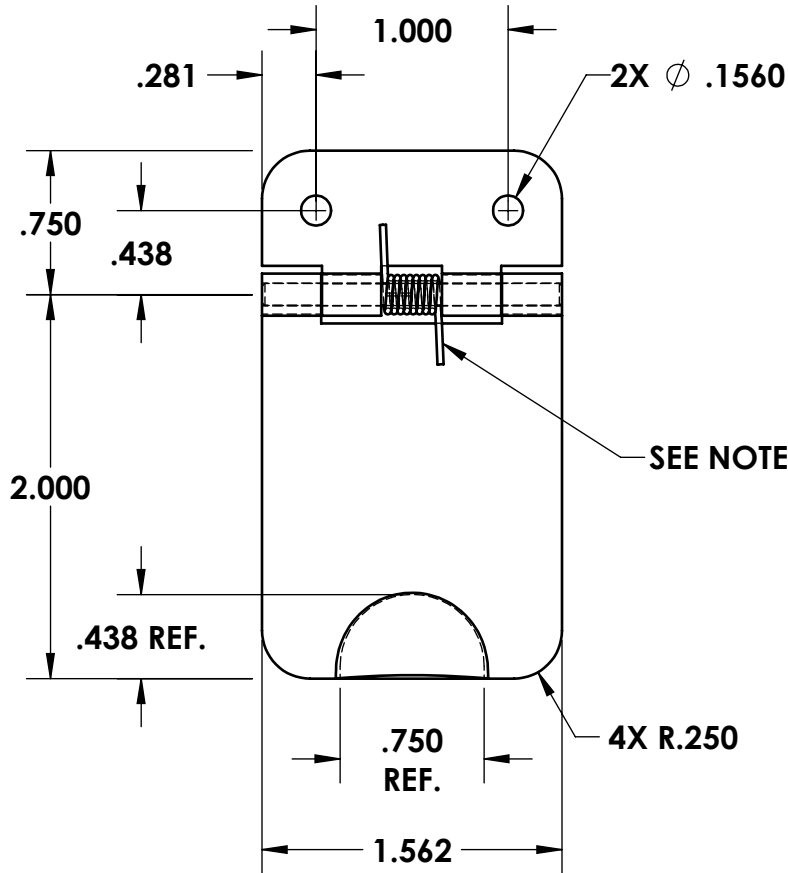
A
SIZE

PROJECTIONS



TOLERANCES UNLESS OTHERWISE SPECIFIED:

| PLACES | INCHES | NOTES: |
|--------|--------|---|
| .XX | ± .030 | ACCEPTABLE BURR ± 10% OF MATERIAL THICKNESS |
| .XXX | ± .015 | ALL TOLERANCES ARE NON-CUMULATIVE |
| .XXXX | ± .005 | ALL DIMENSIONS APPLY TO PART BEFORE ANY FINISH IS APPLIED |
| ANGLE | ± 3° | |



- NOTES:**
1. FINISH: 105- BARREL ZINC & CLEAR TRIVALENT CHROMATE
 2. MATERIAL: LEAVES & SPRING = PS
PIN = STS
 3. SPRING: LOADED TO OPEN, (1) PLACE,
.032 WIRE DIA., .34 LEGS
 4. KNUCKLES: .31 REF.

| REV. | DESCRIPTION | DATE | APPD |
|------|------------------------|------------|------|
| F | SPRING NOTE | 01/12/2018 | JG |
| E | CHANGED SPRING | 05/14/2014 | JG |
| D | CHANGED PIN AND SPRING | 07/18/2012 | JG |

REVISIONS

| | | | | |
|-----------------------|-------------|---|------------|---------------|
| DWG #: | | SCALE | 1:1 | CODE IDENT. # |
| 1645-02 | | DATE | 11/02/1998 | 03007 |
| | | GUDEN INDUSTRIAL HARDWARE MADE EASY 99 RAYNOR AVE. RONKONKOMA, N.Y. 11779 1-800-3-HINGES | | |
| MATERIAL: | FINISH: | | | |
| SEE NOTE | SEE NOTE | | | |
| DR. BY: RAG | CK. BY: JPG | | | |
| FAX: 1-631-737-2933 | | | | |
| EMAIL: info@guden.com | | | | |
| WEB: www.guden.com | | | | |