

A
SIZE

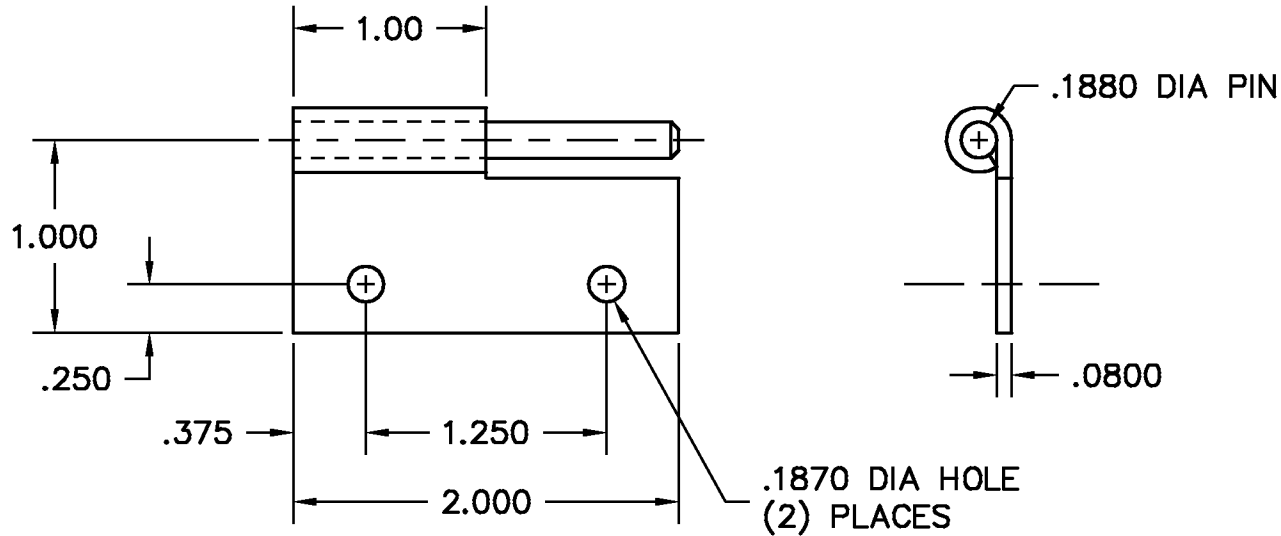
PROJECTIONS



TOLERANCES UNLESS OTHERWISE SPECIFIED:

PLACES	INCH
.XX	± .030
.XXX	± .015
.XXXX	± .005
ANGLE	3°

NOTE:
ACCEPTABLE BURR ± 10% OF MATERIAL THICKNESS
ALL TOLERANCES ARE NON-CUMULATIVE
ALL DIMENSIONS APPLY TO PART BEFORE ANY FINISH IS APPLIED



NOTES:
1. FINISH: 00- NO FINISH

DWG WHPS80620RM		SCALE 1:1	CODE IDENT. # 03007
MATERIAL PS		DATE 01/16/03	
FINISH SEE NOTE			
DR. BY RAG		CK. BY CD	
FAX: 1-631-737-2933		99 RAYNOR AVE.	
EMAIL: info@guden.com		RONKONKOMA, N.Y. 11779	
WEB: www.guden.com		1-800-3-HINGES	

C	PIN DIA.	05/13/13	JG
B	MATERIAL THICKNESS	01/22/09	CD
A	MATERIAL THICKNESS	12/19/08	CD
LTR	DESCRIPTION	DATE	APPD
REVISION			

