

A
SIZE

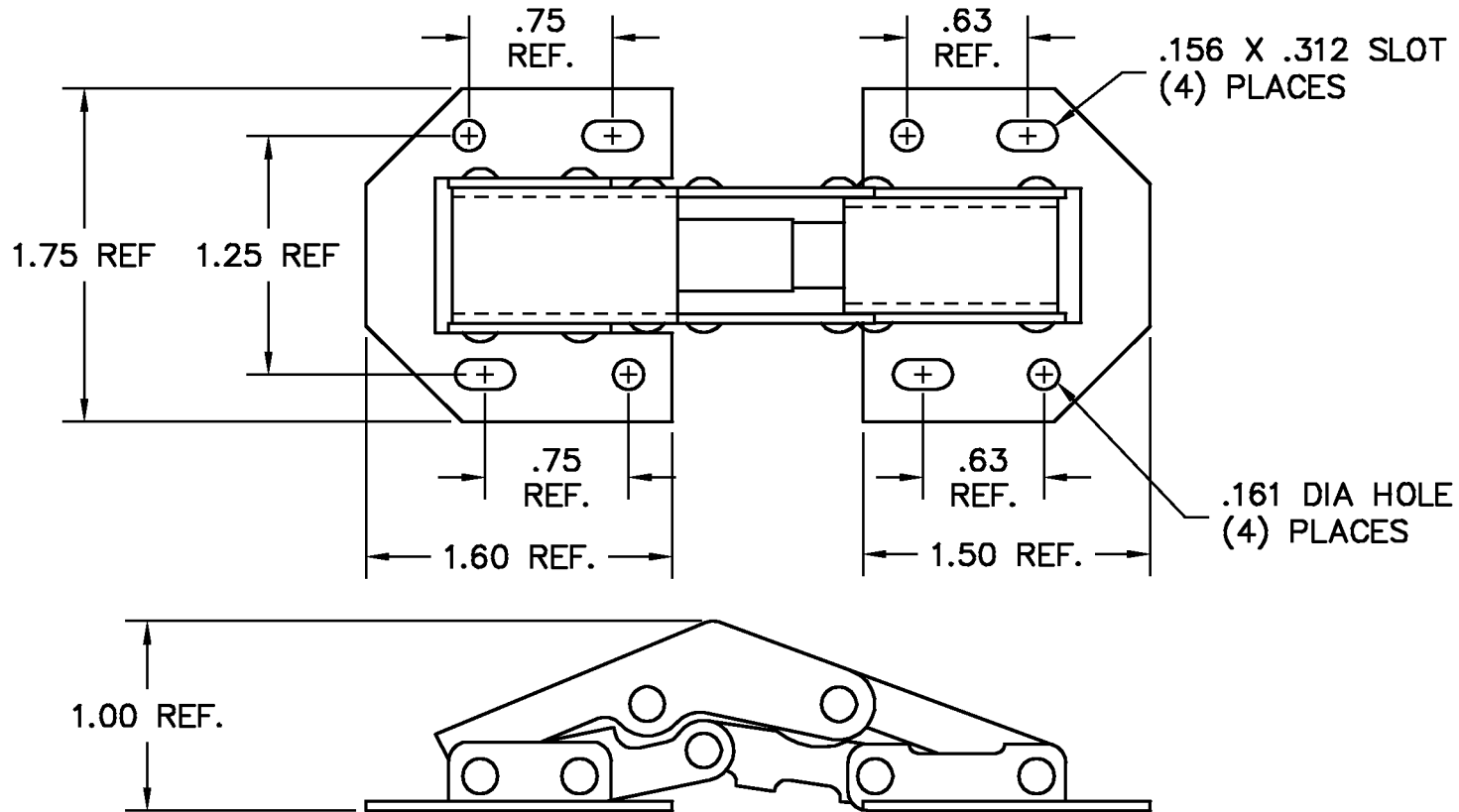
PROJECTIONS



TOLERANCES UNLESS OTHERWISE SPECIFIED:

PLACES	INCH
.XX	± .030
.XXX	± .015
.XXXX	± .005
ANGLE	3°

NOTE:
ACCEPTABLE BURR ± 10% OF MATERIAL THICKNESS
ALL TOLERANCES ARE NON-CUMULATIVE
ALL DIMENSIONS APPLY TO PART BEFORE ANY FINISH IS APPLIED



NOTES:
1. FINISH: 75- BARREL NICKEL

DWG		SCALE	1:1	CODE IDENT. #
HC2000MZ		DATE	03/21/13	03007
MATERIAL	FINISH			
PS	SEE NOTE			
DR. BY RAG	CK. BY JG	<p>99 RAYNOR AVE. RONKONKOMA, N.Y. 11779 1-800-3-HINGES</p>		
FAX: 1-631-737-2933				
EMAIL: info@guden.com WEB: www.guden.com				

LTR	DESCRIPTION	DATE	APPD
	REVISION		