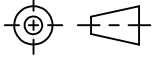


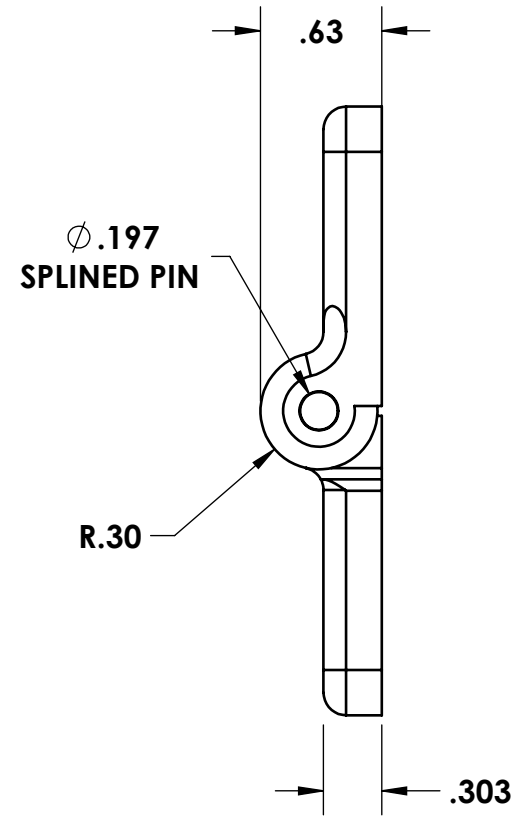
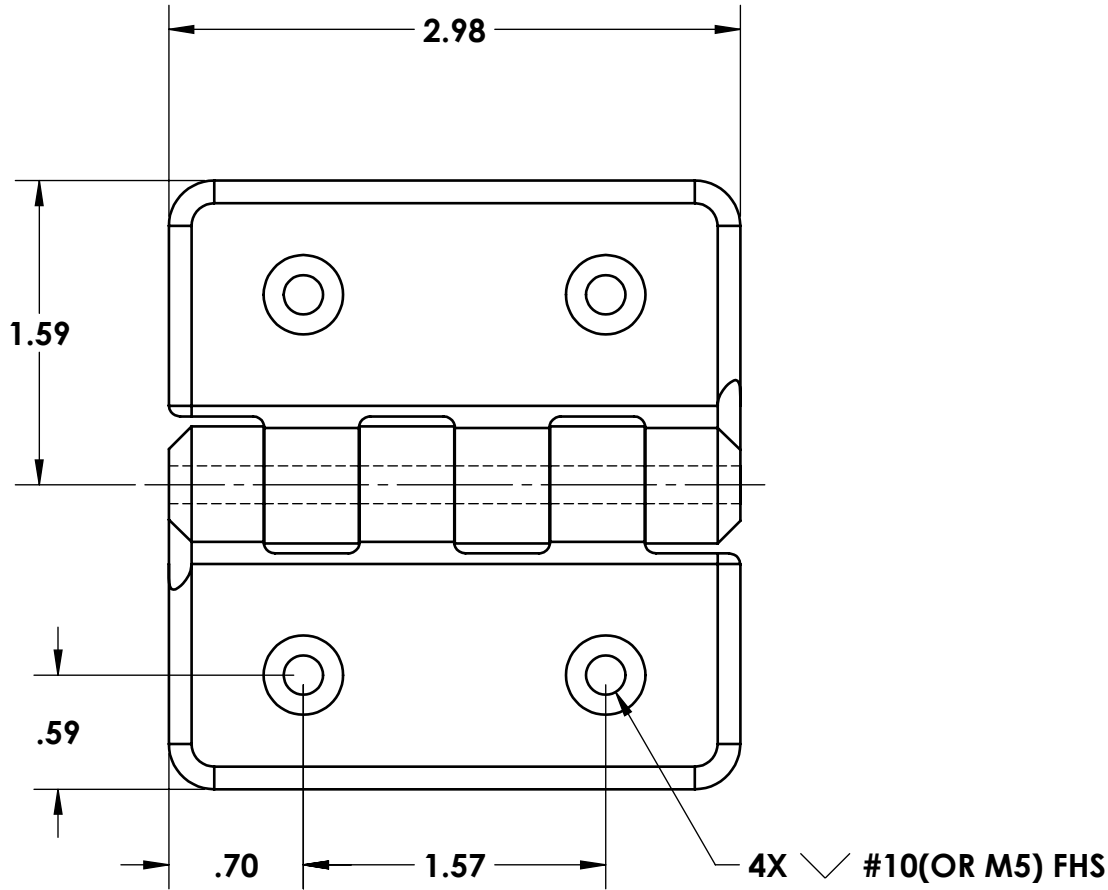
A
SIZE

PROJECTIONS



TOLERANCES UNLESS OTHERWISE SPECIFIED:

PLACES	INCHES	NOTES:
.XX	± .030	ACCEPTABLE BURR ± 10% OF MATERIAL THICKNESS
.XXX	± .015	ALL TOLERANCES ARE NON-CUMULATIVE
.XXXX	± .005	ALL DIMENSIONS APPLY TO PART BEFORE ANY FINISH IS APPLIED
ANGLE	± 3°	



NOTES:

1. FINISH: 00- NO FINISH
2. MATERIAL: LEAVES = NYLON 6
PIN = STS

DWG #:

PLAS031BLACK

SCALE

1:1

CODE IDENT. #

DATE

01/17/2018

03007

MATERIAL:
SEE NOTE

FINISH:
SEE NOTE

DR. BY: RAG

CK. BY: JPG

FAX: 1-631-737-2933
EMAIL: info@guden.com
WEB: www.guden.com

GUDEN
INDUSTRIAL HARDWARE MADE EASY

99 RAYNOR AVE.
RONKONKOMA, N.Y. 11779
1-800-3-HINGES

REV.	DESCRIPTION	DATE	APPD
A	PIN WAS SPUN	04/14/2020	JG

REVISIONS			
-----------	--	--	--