

**A**  
SIZE

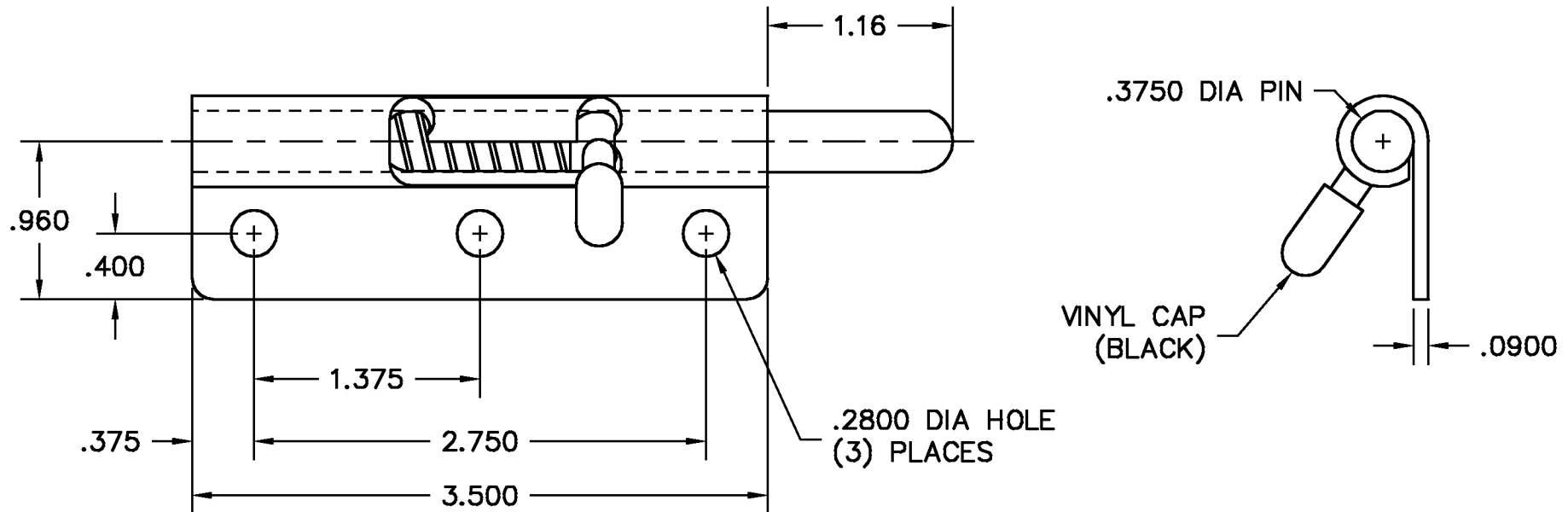
PROJECTIONS



TOLERANCES UNLESS OTHERWISE SPECIFIED:

PLACES	INCH
.XX	± .030
.XXX	± .015
.XXXX	± .005
ANGLE	3°

NOTE:  
ACCEPTABLE BURR ± 10% OF MATERIAL THICKNESS  
ALL TOLERANCES ARE NON-CUMULATIVE  
ALL DIMENSIONS APPLY TO PART BEFORE ANY FINISH IS APPLIED



NOTES:  
1. FINISH: 90- BARREL ZINC & CLEAR CHROMATE

DWG  
H9403RH-02

SCALE	1:1	CODE IDENT. #
DATE	09/05/03	03007

MATERIAL PS FINISH SEE NOTE

DR. BY RAG CK. BY CD



B	DESCRIPTION	DATE	APPD
1.16	WAS 1.13	01/24/11	JG
A	BLACK VINYL CAP	08/07/08	CD
LTR	REVISION		

FAX: 1-631-737-2933  
EMAIL: info@guden.com  
WEB: www.guden.com

99 RAYNOR AVE.  
RONKONKOMA, N.Y. 11779  
1-800-3-HINGES