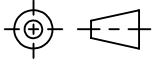


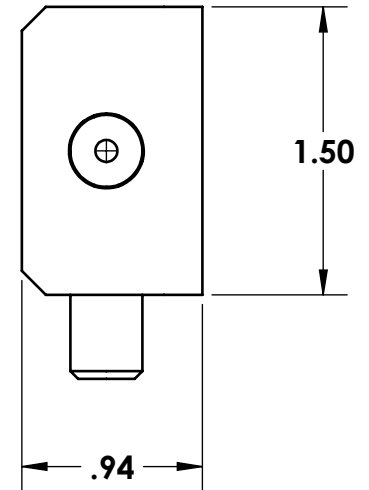
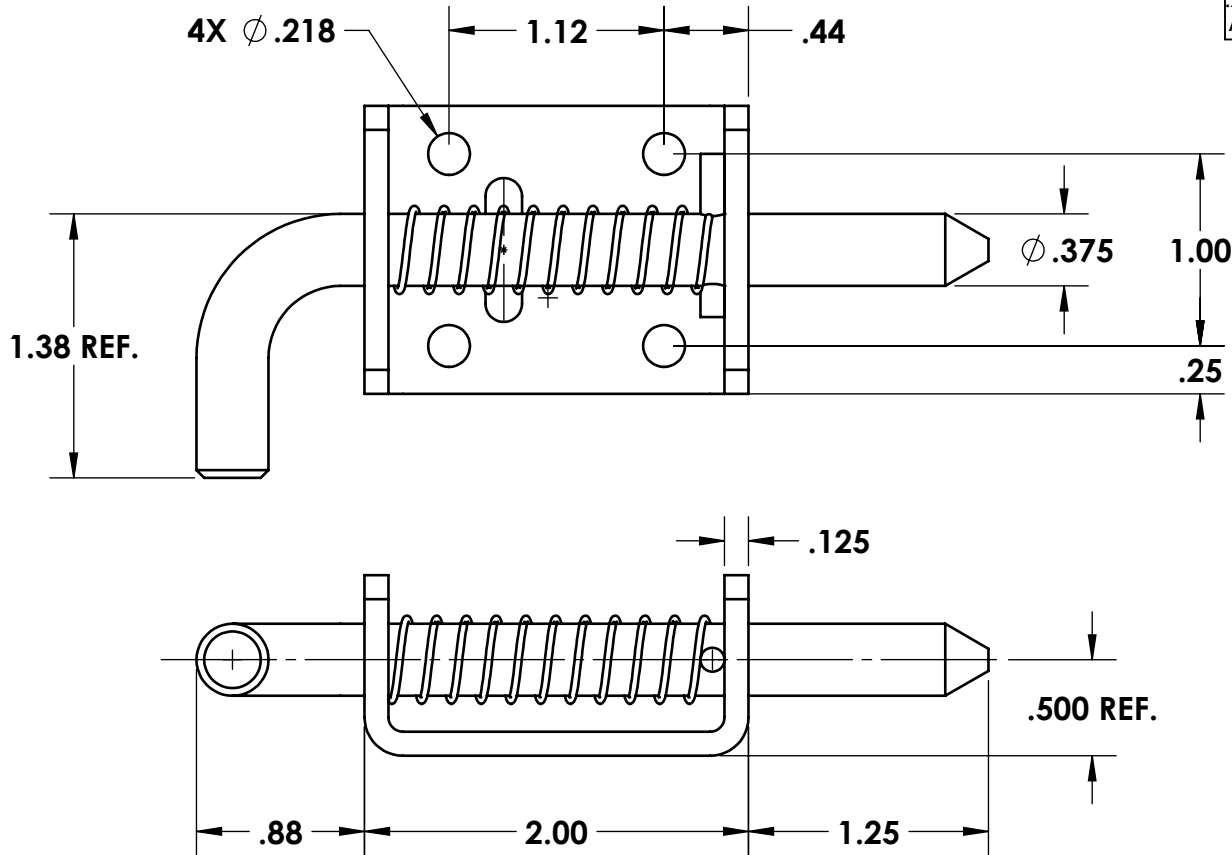
A
SIZE

PROJECTIONS



TOLERANCES UNLESS OTHERWISE SPECIFIED:

PLACES	INCHES	NOTES:
.XX	± .030	ACCEPTABLE BURR ± 10% OF MATERIAL THICKNESS
.XXX	± .015	ALL TOLERANCES ARE NON-CUMULATIVE
.XXXX	± .005	ALL DIMENSIONS APPLY TO PART BEFORE ANY
ANGLE	± 3°	FINISH IS APPLIED



NOTES:

1. FINISH: 105- BARREL ZINC AND CLEAR TRIVALENT CHROMATE
2. MATERIAL: BODY AND PIN = PS
SPRING = STS
3. 1.02 RETRACTION TO HOLD BACK POSITION

DWG #:		SCALE	1:1	CODE IDENT. #
H9396RV-02-HB		DATE	01/21/2020	03007
MATERIAL:	FINISH:	GUDEN INDUSTRIAL HARDWARE MADE EASY		
SEE NOTE	SEE NOTE			
DR. BY: RAG	CK. BY: JPG			
FAX: 1-631-737-2933		99 RAYNOR AVE.		
EMAIL: info@guden.com		RONKONKOMA, N.Y. 11779		
WEB: www.guden.com		1-800-3-HINGES		

REV.	DESCRIPTION	DATE	APPD
REVISIONS			