

A
SIZE

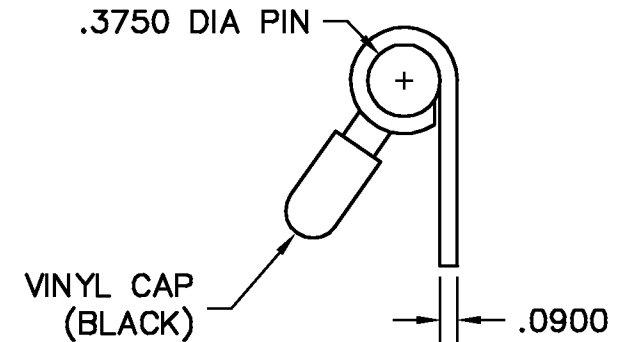
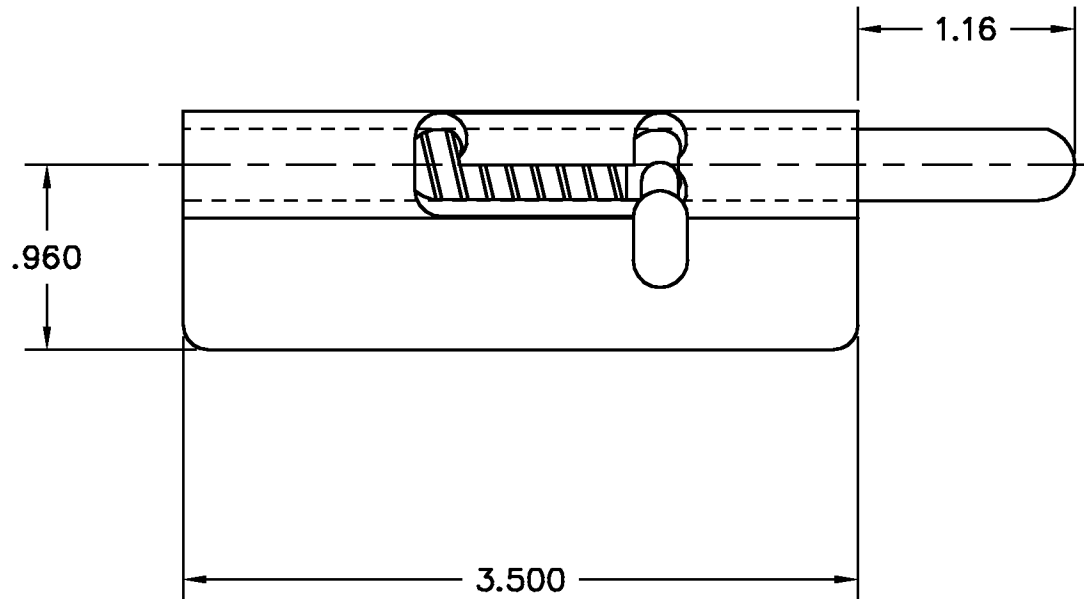
PROJECTIONS



TOLERANCES UNLESS OTHERWISE SPECIFIED:

PLACES	INCH
.XX	± .030
.XXX	± .015
.XXXX	± .005
ANGLE	3°

NOTE:
ACCEPTABLE BURR ± 10% OF MATERIAL THICKNESS
ALL TOLERANCES ARE NON-CUMULATIVE
ALL DIMENSIONS APPLY TO PART BEFORE ANY FINISH IS APPLIED



NOTES:
1. FINISH: 90- BARREL ZINC & CLEAR CHROMATE

DWG 9403RH-02		SCALE 1:1	CODE IDENT. # 03007
MATERIAL PS		DATE 06/02/03	
FINISH SEE NOTE			
DR. BY RAG		CK. BY CD	
FAX: 1-631-737-2933		GUDEN DELIVERING HARDWARE EXCELLENCE 99 RAYNOR AVE. RONKONKOMA, N.Y. 11779 1-800-3-HINGES	
EMAIL: info@guden.com			
WEB: www.guden.com			

REVISION	DESCRIPTION	DATE	APPD
C	1.16 WAS 1.13	01/24/11	JG
B	BLACK VINYL CAP	08/07/08	CD
A	REMOVED HOLES	09/05/03	CD