

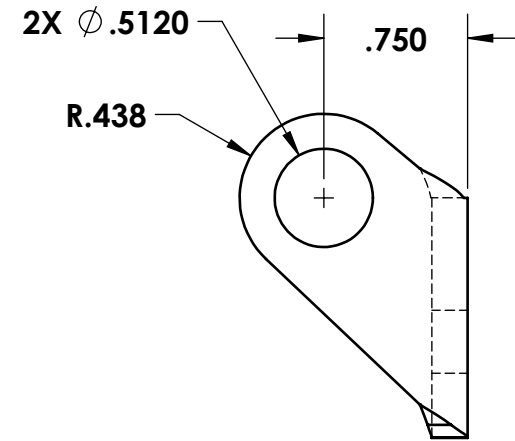
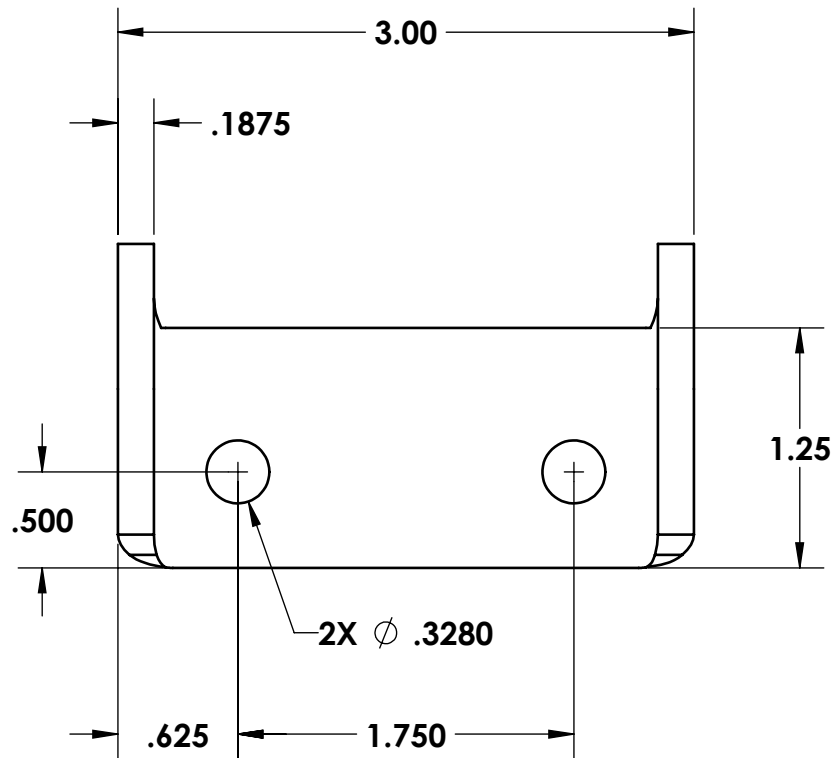
A
SIZE

PROJECTIONS



TOLERANCES UNLESS OTHERWISE SPECIFIED:

PLACES	INCHES	NOTES:
.XX	± .030	ACCEPTABLE BURR ± 10% OF MATERIAL THICKNESS
.XXX	± .015	ALL TOLERANCES ARE NON-CUMULATIVE
.XXXX	± .005	ALL DIMENSIONS APPLY TO PART BEFORE ANY FINISH IS APPLIED
ANGLE	± 3°	



NOTES:

1. FINISH: 00- NO FINISH
2. THRU HOLE (2 PL) TO BE // WITHIN .020 OF BOTTOM REF. .750 DIM.

DWG #: 9297-PSBODY		SCALE 1:1	CODE IDENT. # 03007
MATERIAL: PS		FINISH: SEE NOTE	
DR. BY: RAG		CK. BY: JPG	
FAX: 1-631-737-2933		 GUDEN INDUSTRIAL HARDWARE MADE EASY 99 RAYNOR AVE. RONKONKOMA, N.Y. 11779 1-800-3-HINGES	
EMAIL: info@guden.com			
WEB: www.guden.com			

REV.	DESCRIPTION	DATE	APPD
REVISIONS			