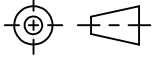


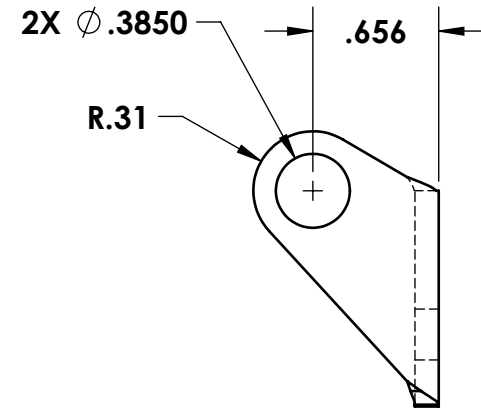
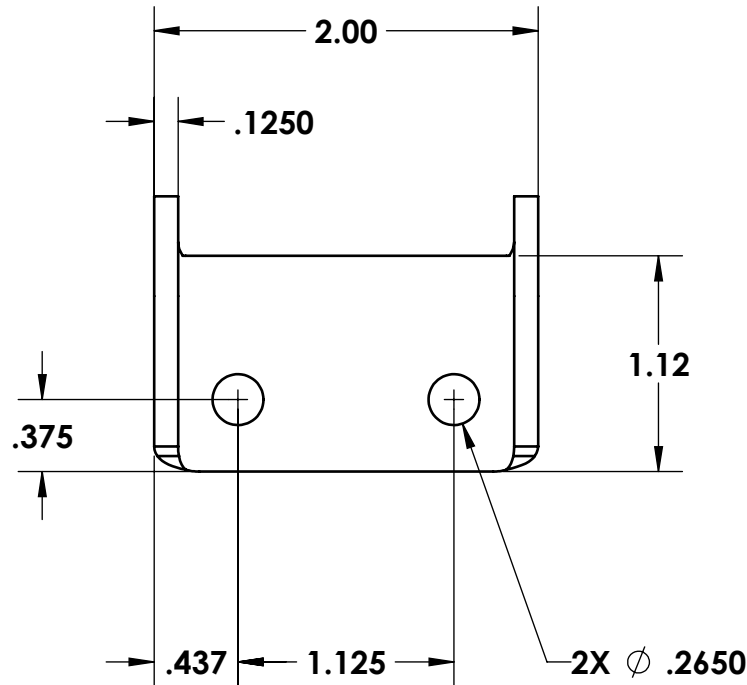
A
SIZE

PROJECTIONS



TOLERANCES UNLESS OTHERWISE SPECIFIED:

PLACES	INCHES	NOTES:
.XX	± .030	ACCEPTABLE BURR ± 10% OF MATERIAL THICKNESS
.XXX	± .015	ALL TOLERANCES ARE NON-CUMULATIVE
.XXXX	± .005	ALL DIMENSIONS APPLY TO PART BEFORE ANY FINISH IS APPLIED
ANGLE	± 3°	



NOTES:

1. FINISH: 00- NO FINISH
2. THRU HOLE (2 PL) TO BE // WITHIN .020 OF BOTTOM REF. .656 DIM.

DWG #:		SCALE	1:1	CODE IDENT. #
9296-PSBODY		DATE	04/04/2017	03007
MATERIAL:	FINISH:			
PS	SEE NOTE			
DR. BY: RAG	CK. BY: JPG	99 RAYNOR AVE. RONKONKOMA, N.Y. 11779 1-800-3-HINGES		
FAX: 1-631-737-2933 EMAIL: info@guden.com WEB: www.guden.com				

REV.	DESCRIPTION	DATE	APPD
A	VARIOUS CHANGES	01/03/2019	JG
REVISIONS			