

A
SIZE

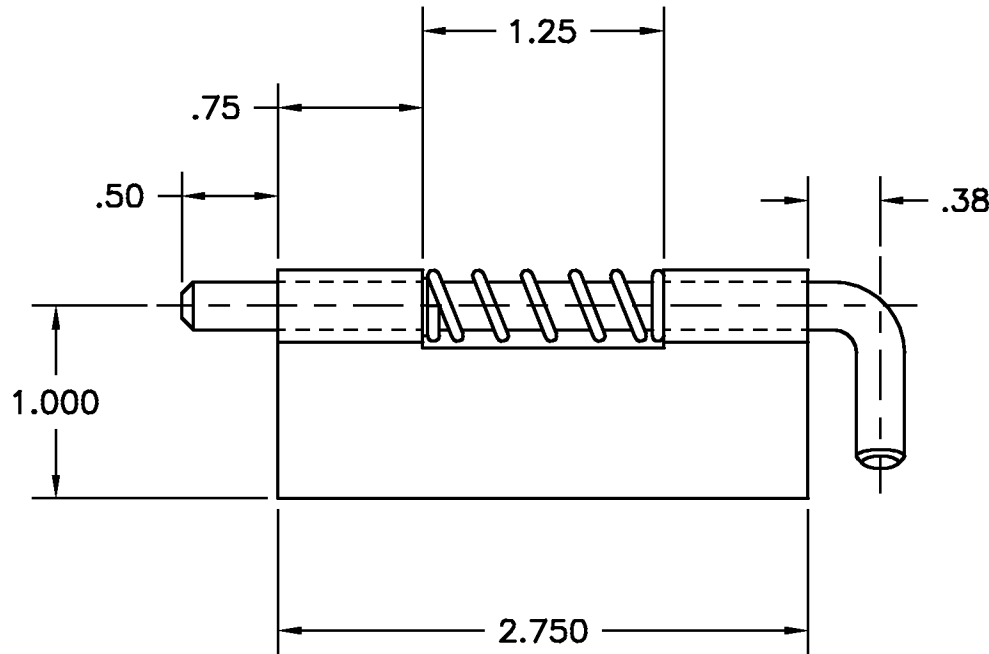
PROJECTIONS



TOLERANCES UNLESS OTHERWISE SPECIFIED:

| PLACES | INCH |
|--------|--------|
| .XX | ± .030 |
| .XXX | ± .015 |
| .XXXX | ± .005 |
| ANGLE | 3° |

NOTE:
ACCEPTABLE BURR ± 10% OF MATERIAL THICKNESS
ALL TOLERANCES ARE NON-CUMULATIVE
ALL DIMENSIONS APPLY TO PART BEFORE ANY FINISH IS APPLIED



- NOTES:
1. FINISH: 105- BARREL ZINC AND CLEAR TRIVALENT CHROMATE
2. MATERIAL: LEAF & PIN = PS
SPRING & CLIP = STS

| LTR | DESCRIPTION | DATE | APPD |
|----------|----------------|----------|------|
| E | .50 WAS .500 | 02/24/15 | JG |
| D | 1.25 WAS 1.250 | 09/10/13 | JG |
| C | CHANGED FINISH | 06/29/11 | JG |
| B | ADDED PIN DIMS | 01/16/06 | CD |
| A | MATERIAL NOTE | 10/05/05 | CD |
| REVISION | | | |

| | |
|--|--------------------|
| DWG 9295LH-02 | |
| MATERIAL SEE NOTE | FINISH SEE NOTE |
| DR. BY RAG | CK. BY RK |
| FAX: 1-631-737-2933 EMAIL: info@guden.com WEB: www.guden.com | |

| | | |
|--|----------|---------------|
| SCALE | 1:1 | CODE IDENT. # |
| DATE | 05/01/95 | 03007 |
| | | |
| 99 RAYNOR AVE. RONKONKOMA, N.Y. 11779 1-800-3-HINGES | | |