

A
SIZE

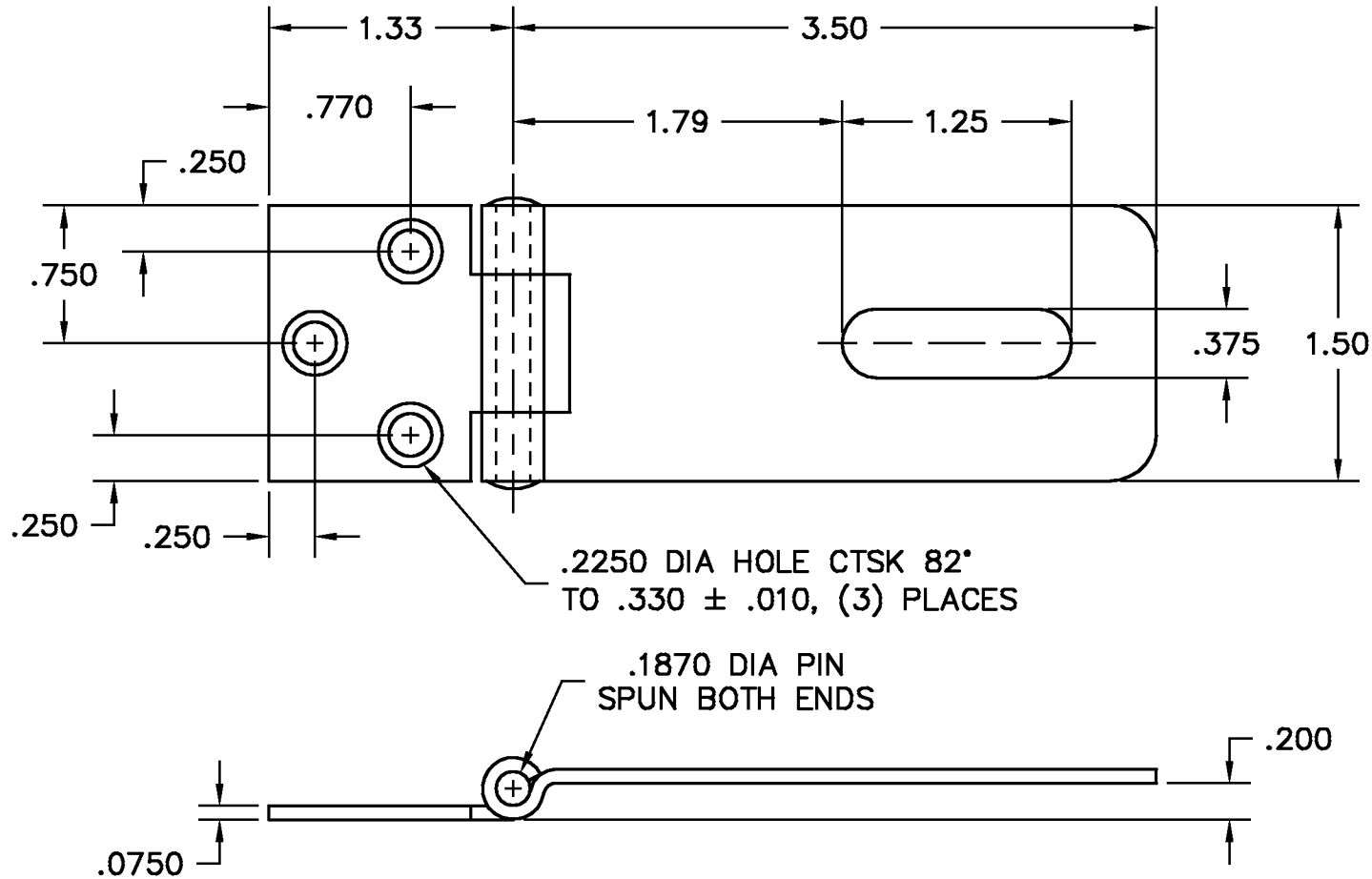
PROJECTIONS



TOLERANCES UNLESS OTHERWISE SPECIFIED:

PLACES	INCH
.XX	± .030
.XXX	± .015
.XXXX	± .005
ANGLE	± 3°


NOTE:
ACCEPTABLE BURR ± 10% OF MATERIAL THICKNESS
ALL TOLERANCES ARE NON-CUMULATIVE
ALL DIMENSIONS APPLY TO PART BEFORE ANY FINISH IS APPLIED



- NOTES:
1. FINISH: 00- NO FINISH
2. MATERIAL: LEAVES = ALUM
PIN = STS

LTR	DESCRIPTION	DATE	APPD
C	REMOVED GUDEN BRAND	06/12/13	JG
B	REDRAWN	03/10/99	CD
A	REDRAWN	12/17/91	AG
REVISION			

DWG	
AL91135	
MATERIAL	FINISH
SEE NOTE	SEE NOTE
DR. BY RAG	CK. BY CD
FAX: 1-631-737-2933 EMAIL: info@guden.com WEB: www.guden.com	

SCALE	1:1	CODE IDENT. #
DATE	03/10/99	03007
 DELIVERING HARDWARE EXCELLENCE		
99 RAYNOR AVE. RONKONKOMA, N.Y. 11779 1-800-3-HINGES		