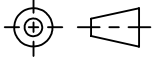


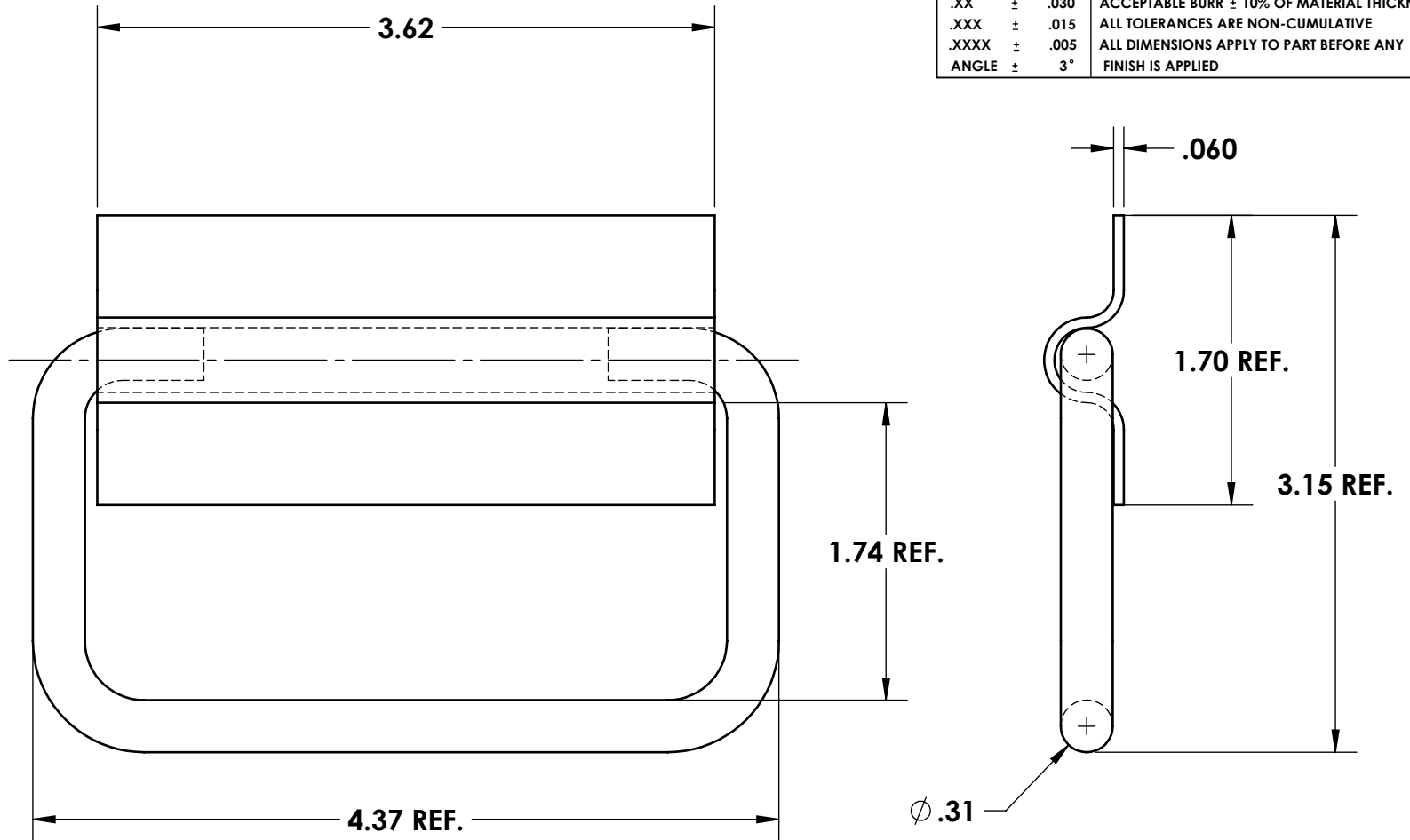
A
SIZE

PROJECTIONS



TOLERANCES UNLESS OTHERWISE SPECIFIED:

| PLACES | INCHES | NOTES: |
|--------|--------|---|
| .XX | ± .030 | ACCEPTABLE BURR ± 10% OF MATERIAL THICKNESS |
| .XXX | ± .015 | ALL TOLERANCES ARE NON-CUMULATIVE |
| .XXXX | ± .005 | ALL DIMENSIONS APPLY TO PART BEFORE ANY FINISH IS APPLIED |
| ANGLE | ± 3° | |



NOTES:

1. FINISH: 00- NO FINISH

| REV. DESCRIPTION DATE APPD | | | | DWG #: | | SCALE | 1:1 | CODE IDENT. # |
|----------------------------|-------------------|------------|------|--|------------|--|------------|---------------|
| | | | | NHPS8310 | | DATE | 08/18/1987 | 03007 |
| G | CORRECTED FINISH | 03/07/2018 | JG | MATERIAL: | FINISH: | 99 RAYNOR AVE. RONKONKOMA, N.Y. 11779 1-800-3-HINGES | | |
| F | CONVERTED | 02/06/2018 | JG | PS | SEE NOTE | | | |
| E | 1.70 REF WAS 1.75 | 05/18/2010 | JG | DR. BY: RAG | CK. BY: CD | | | |
| REV. | DESCRIPTION | DATE | APPD | FAX: 1-631-737-2933 EMAIL: info@guden.com WEB: www.guden.com | | | | |
| REVISIONS | | | | | | | | |