

**A**  
SIZE

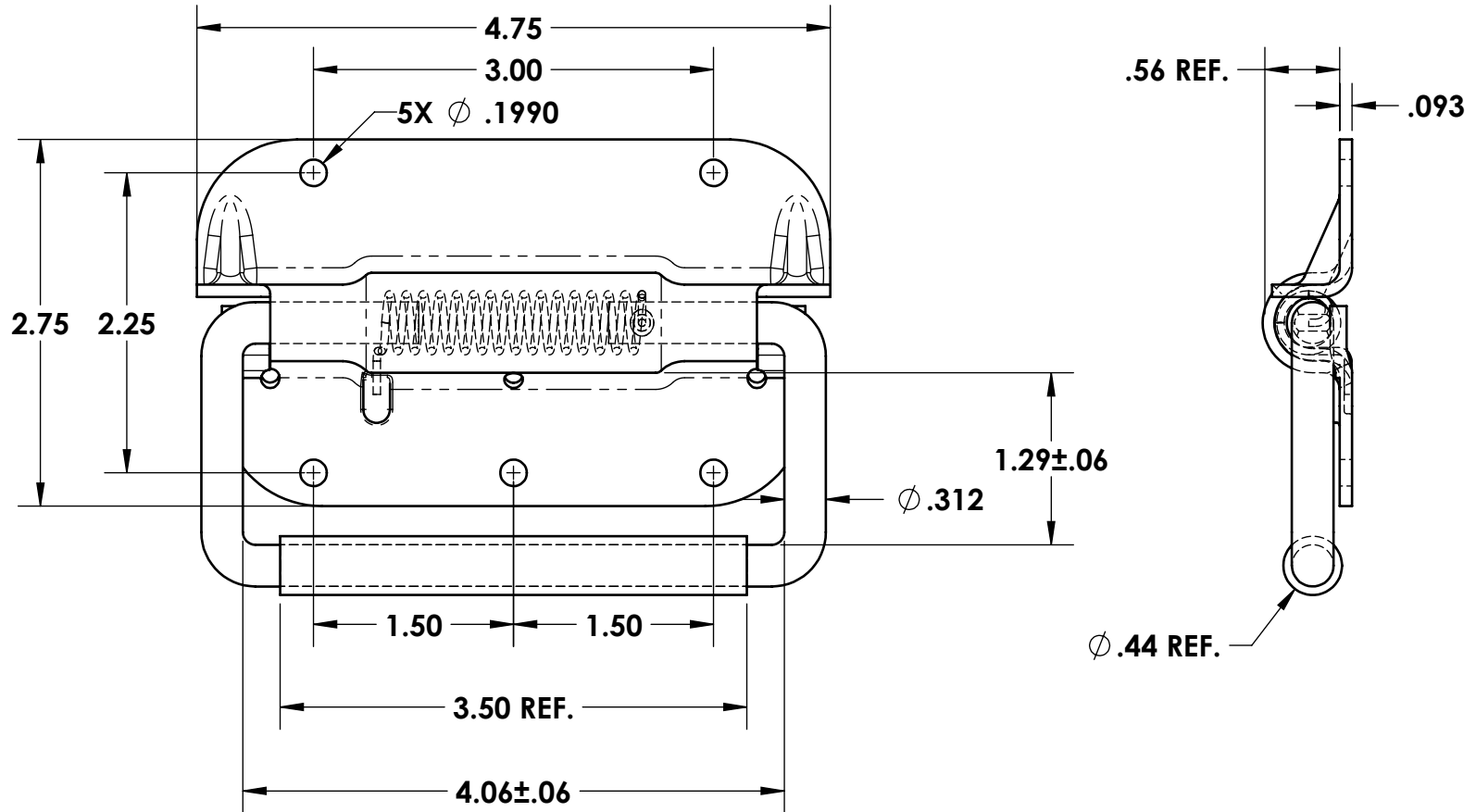
PROJECTIONS



COMPONENT	MATERIAL	FINISH
BACKPLATE	STS	26- PASSIVATE
BAIL	STS	26- PASSIVATE
SPRING	STS	26- PASSIVATE
GRIP	RUBBER	00- NO FINISH

TOLERANCES UNLESS OTHERWISE SPECIFIED:

PLACES	INCHES	NOTES:
.XX	± .030	ACCEPTABLE BURR ± 10% OF MATERIAL THICKNESS
.XXX	± .015	ALL TOLERANCES ARE NON-CUMULATIVE
.XXXX	± .005	ALL DIMENSIONS APPLY TO PART BEFORE ANY FINISH IS APPLIED
ANGLE	± 3°	



**NOTES:**

1. FINISH: SEE TABLE
2. MATERIAL: SEE TABLE

DWG #:

**H955SS2RGSS**

SCALE

3:4

CODE IDENT. #

DATE

10/01/2014

03007

MATERIAL:

SEE NOTE

FINISH:

SEE NOTE

DR. BY: RAG

CK. BY: JPG

FAX: 1-631-737-2933

EMAIL: info@guden.com

WEB: www.guden.com

**GUDEN**

INDUSTRIAL HARDWARE MADE EASY

99 RAYNOR AVE.

RONKONKOMA, N.Y. 11779

1-800-3-HINGES

REV.	DESCRIPTION	DATE	APPD
B	CONVERTED	02/26/2018	JG
A	3.50 REF WAS 3.50 +- .060	01/06/2015	JG
REVISIONS			