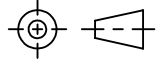


A
SIZE

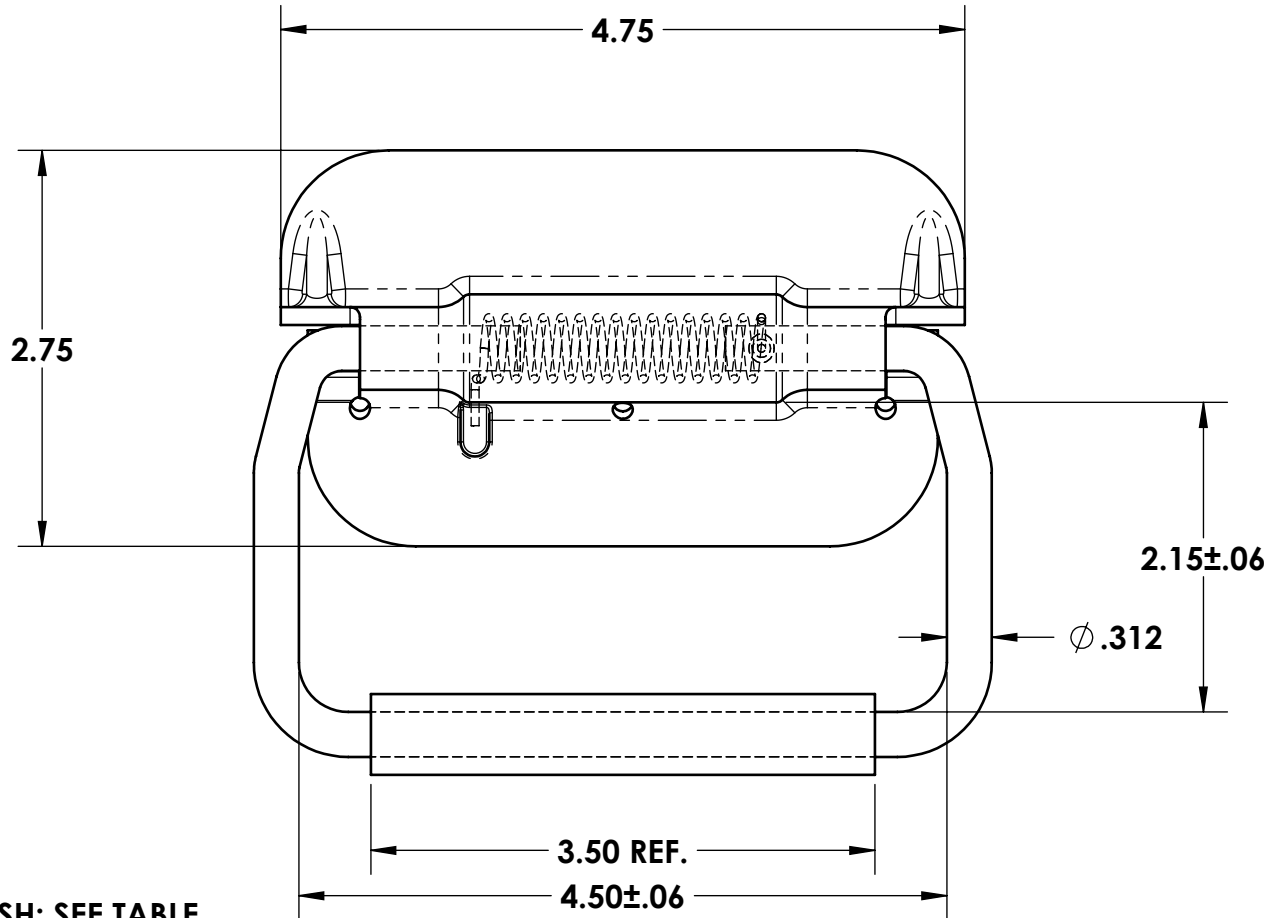
PROJECTIONS



COMPONENT	MATERIAL	FINISH
BACKPLATE	ALUM	07- CAUSTIC ETCH
BAIL	STS	26- PASSIVATE
SPRING	STS	26- PASSIVATE
GRIP	RUBBER	00- NO FINISH

TOLERANCES UNLESS OTHERWISE SPECIFIED:

PLACES	INCHES	NOTES:
.XX	± .030	ACCEPTABLE BURR ± 10% OF MATERIAL THICKNESS
.XXX	± .015	ALL TOLERANCES ARE NON-CUMULATIVE
.XXXX	± .005	ALL DIMENSIONS APPLY TO PART BEFORE ANY FINISH IS APPLIED
ANGLE	± 3°	



- NOTES:
 1. FINISH: SEE TABLE
 2. MATERIAL: SEE TABLE

REV.	DESCRIPTION	DATE	APPD
C	CONVERTED	02/21/2018	JG
B	3.50 REF WAS 3.50 +- .060	01/06/2015	JG
A	VARIOUS CHANGES	09/22/2014	JG
REV.	DESCRIPTION	DATE	APPD
REVISIONS			

DWG #:	
945SS2RG	
MATERIAL:	FINISH:
SEE NOTE	SEE NOTE
DR. BY: RAG	CK. BY: CD
FAX: 1-631-737-2933	
EMAIL: info@guden.com	
WEB: www.guden.com	

SCALE	3:4	CODE IDENT. #
DATE	06/21/2005	03007
GUDEN		
INDUSTRIAL HARDWARE MADE EASY		
99 RAYNOR AVE.		
RONKONKOMA, N.Y. 11779		
1-800-3-HINGES		