

A  
SIZE

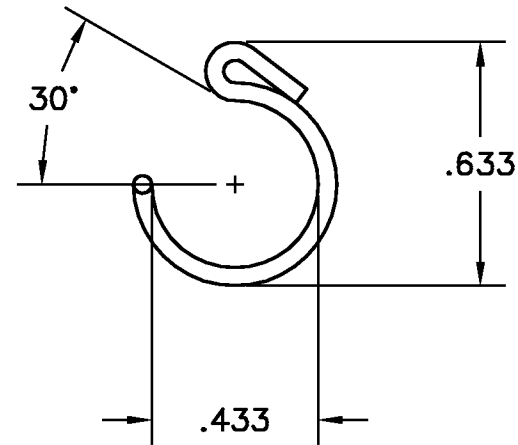
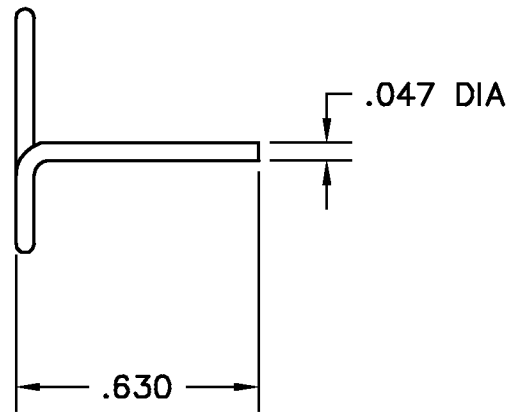
PROJECTIONS




TOLERANCES UNLESS OTHERWISE SPECIFIED:

PLACES	INCH
.XX	± .030
.XXX	± .015
.XXXX	± .005
ANGLE	3°

NOTE:  
ACCEPTABLE BURR ± 10% OF MATERIAL THICKNESS  
ALL TOLERANCES ARE NON-CUMULATIVE  
ALL DIMENSIONS APPLY TO PART BEFORE ANY FINISH IS APPLIED



- NOTES:  
1. FINISH: 00- NO FINISH  
2. SC100 AVAILABLE FOR USE WITH GUDEN END FITTING EF100

DWG		SCALE	2:1	CODE IDENT. #
SC100		DATE	01/20/97	03007
MATERIAL	FINISH			
STS	SEE NOTE			
DR. BY RAG	CK. BY CD	99 RAYNOR AVE. RONKONKOMA, N.Y. 11779 1-800-3-HINGES		
FAX: 1-631-737-2933 EMAIL: info@guden.com WEB: www.guden.com				
REVISION				

C	DESCRIPTION	DATE	APPD
C	CORRECTED SCALE	02/01/99	CD
B	REDRAWN, CHANGED MAT'L	01/20/97	CD
A	PART NO. WAS SC100-02	09/11/90	CD