

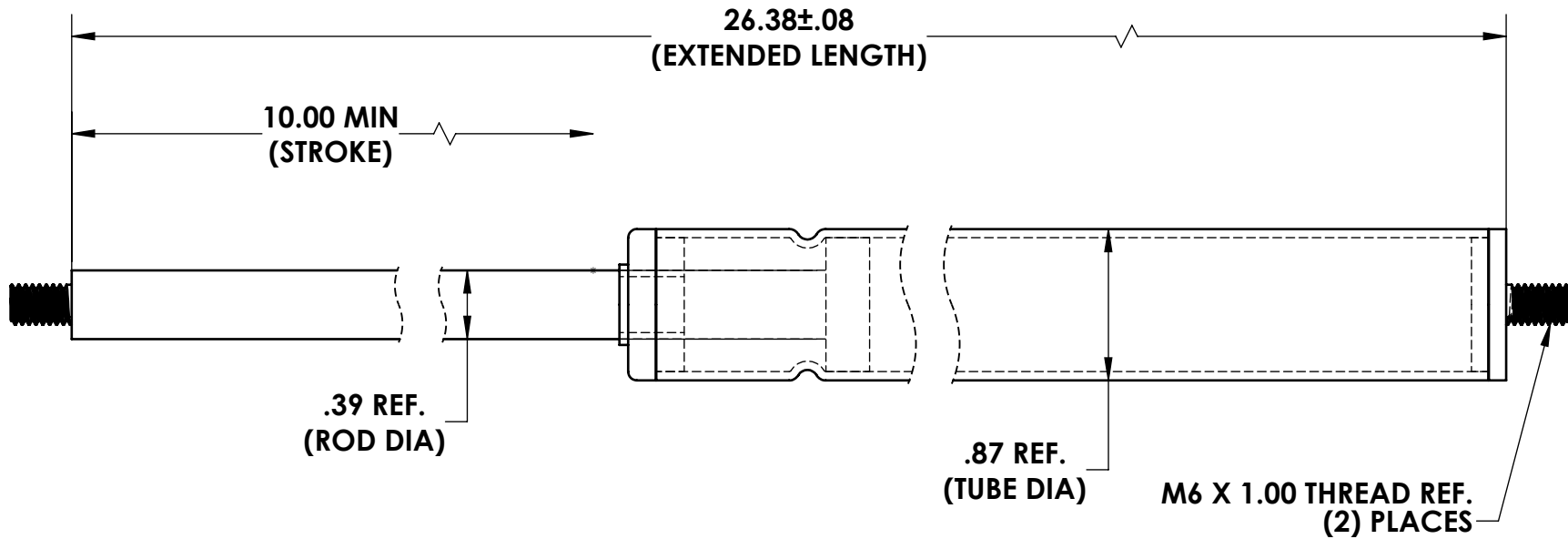
A
SIZE

PROJECTIONS



TOLERANCES UNLESS OTHERWISE SPECIFIED:

PLACES	INCHES	NOTES:
.XX	± .030	ACCEPTABLE BURR ± 10% OF MATERIAL THICKNESS
.XXX	± .015	ALL TOLERANCES ARE NON-CUMULATIVE
.XXXX	± .005	ALL DIMENSIONS APPLY TO PART BEFORE ANY FINISH IS APPLIED
ANGLE	± 3°	



NOTES:

1. FINISH: 51A BLACK PAINT (TUBE) AND BLACK NITRIDE (ROD)
2. PART MARK WITH GUDEN P/N AND DATE CODE
3. P1 FORCE = 100 lbs. ± 7.0 lbs.

DWG #: GGN31-100-X		SCALE 1:1	CODE IDENT. #
		DATE 03/09/2017	03007
MATERIAL: PS	FINISH: SEE NOTE	 GUDEN INDUSTRIAL HARDWARE MADE EASY 99 RAYNOR AVE. RONKONKOMA, N.Y. 11779 1-800-3-HINGES	
DR. BY: RAG	CK. BY: JPG		
FAX: 1-631-737-2933 EMAIL: info@guden.com WEB: www.guden.com			

REV.	DESCRIPTION	DATE	APPD
	REVISIONS		