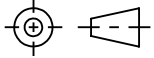


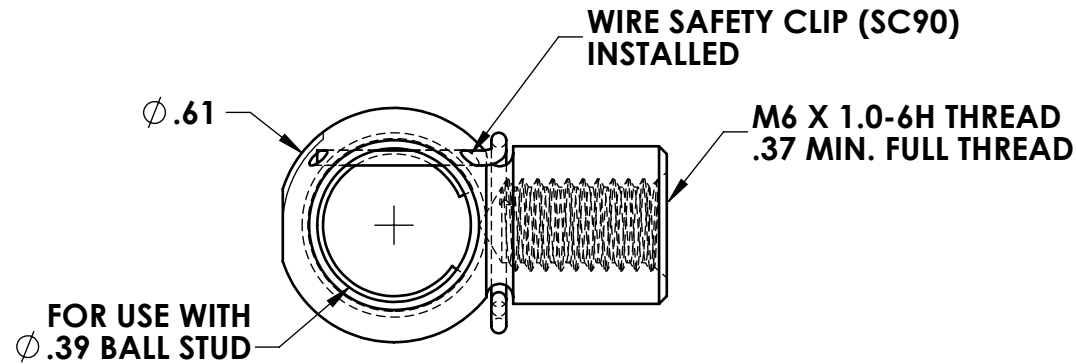
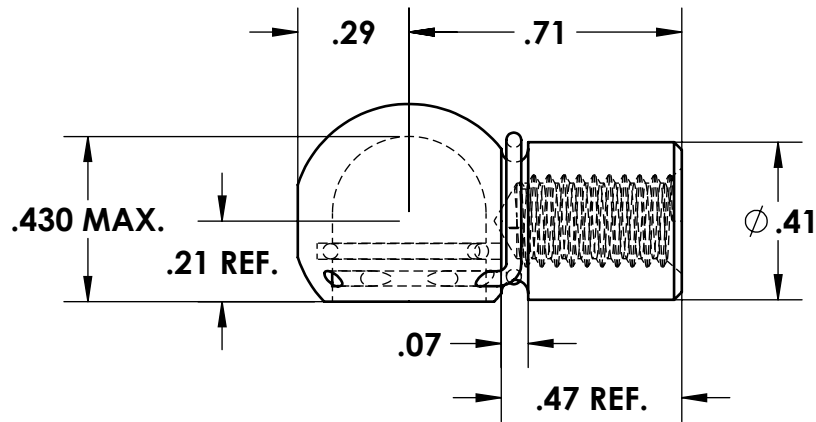
A
SIZE

PROJECTIONS




TOLERANCES UNLESS OTHERWISE SPECIFIED:

PLACES	INCHES	NOTES:
.XX	± .030	ACCEPTABLE BURR ± 10% OF MATERIAL THICKNESS
.XXX	± .015	ALL TOLERANCES ARE NON-CUMULATIVE
.XXXX	± .005	ALL DIMENSIONS APPLY TO PART BEFORE ANY
ANGLE	± 3°	FINISH IS APPLIED



NOTES:

1. FINISH: 00- NO FINISH

REV. DESCRIPTION DATE APPD				DWG #:		SCALE	2:1	CODE IDENT. #
				EF090A-32		DATE	03/17/2017	03007
C	SC90 INSTALLED	03/26/2024	JG	MATERIAL:	FINISH:	 99 RAYNOR AVE. RONKONKOMA, N.Y. 11779 1-800-3-HINGES		
B	VARIOUS CHANGES	03/31/2021	JG	303-ST5	SEE NOTE			
A	VARIOUS CHANGES	08/18/2017	JG	DR. BY: RAG	CK. BY: JPG			
REV.	DESCRIPTION	DATE	APPD	FAX: 1-631-737-2933 EMAIL: info@guden.com WEB: www.guden.com				
REVISIONS								