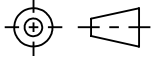


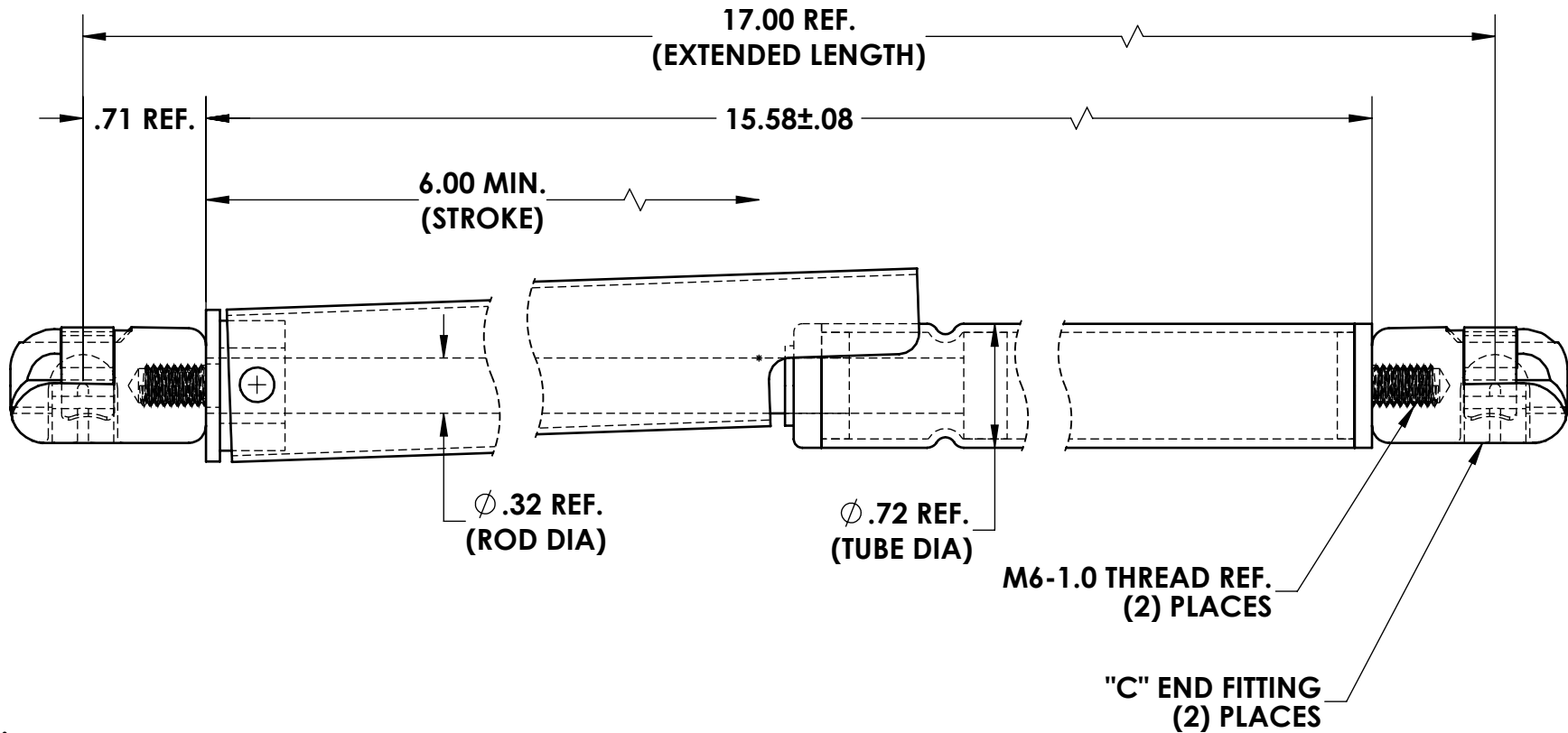
A
SIZE

PROJECTIONS



TOLERANCES UNLESS OTHERWISE SPECIFIED:

PLACES	INCHES	NOTES:
.XX	± .030	ACCEPTABLE BURR ± 10% OF MATERIAL THICKNESS
.XXX	± .015	ALL TOLERANCES ARE NON-CUMULATIVE
.XXXX	± .005	ALL DIMENSIONS APPLY TO PART BEFORE ANY FINISH IS APPLIED
ANGLE	± 3°	



NOTES:

- FINISH: 51A BLACK PAINT (TUBE) AND BLACK NITRIDE (ROD)
- PART MARK WITH GUDEN P/N AND DATE CODE
- P1 FORCE = 90 LBS ± 7.0 LBS
- ALTERNATIVE P/N: EDF8P8155220P8D

DWG #:

ECL23-090-C

SCALE

1:1

CODE IDENT. #

DATE

09/20/2017

03007

MATERIAL:
PSFINISH:
SEE NOTE

DR. BY: RAG

CK. BY: JPG

FAX: 1-631-737-2933

EMAIL: info@guden.com

WEB: www.guden.com

GUDEN

INDUSTRIAL HARDWARE MADE EASY

99 RAYNOR AVE.

RONKONKOMA, N.Y. 11779

1-800-3-HINGES

A	ADDED ALTERNATIVE P/N	03/21/2024	JG
REV.	DESCRIPTION	DATE	APPD
	REVISIONS		