

**A**  
SIZE

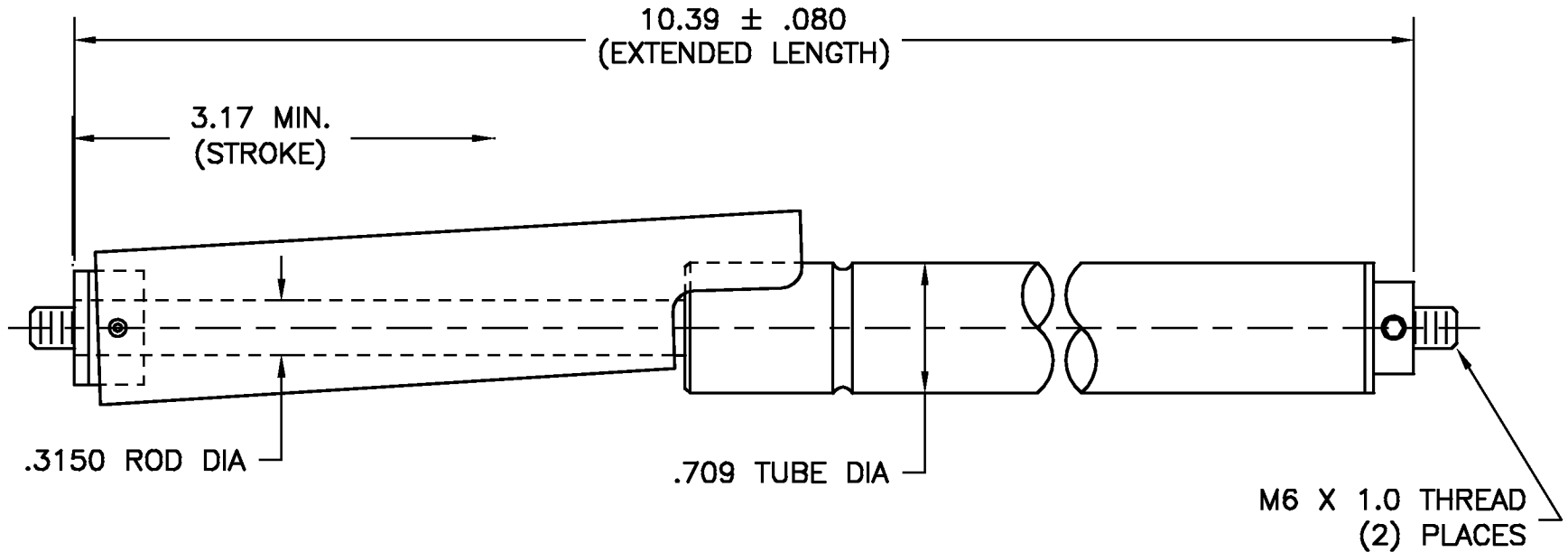
PROJECTIONS



TOLERANCES UNLESS OTHERWISE SPECIFIED:

PLACES	INCH
.XX	± .030
.XXX	± .015
.XXXX	± .005
ANGLE	3°

NOTE:  
ACCEPTABLE BURR ± 10% OF MATERIAL THICKNESS  
ALL TOLERANCES ARE NON-CUMULATIVE  
ALL DIMENSIONS APPLY TO PART BEFORE ANY FINISH IS APPLIED



NOTES:

1. FINISH: 51A BLACK PAINT (TUBE) AND BLACK NITRIDE (ROD)
2. LABEL TO BE STAMPED WITH CORRESPONDING GUDEN P/N AND DATE CODE (DATE CODE EX.: 0684 IS THE 68TH DAY OF 2014)
3. P1 FORCE = 146 lbs ± 7.0 lbs
4. PARTS ARE TO BE INDIVIDUALLY BAGGED WITH INSTRUCTION SHEET AND ALLEN KEY

DWG ECL220-VLF-X		SCALE N/A	CODE IDENT. # 03007
MATERIAL PS		FINISH SEE NOTE	
DR. BY RAG		CK. BY JG	
FAX: 1-631-737-2933		99 RAYNOR AVE.	
EMAIL: info@guden.com		RONKONKOMA, N.Y. 11779	
WEB: www.guden.com		1-800-3-HINGES	

B	ADDED NOTE 4	12/05/14	JG
A	3.17 WAS 3.90	08/04/14	JG
LTR	DESCRIPTION	DATE	APPD
REVISION			

