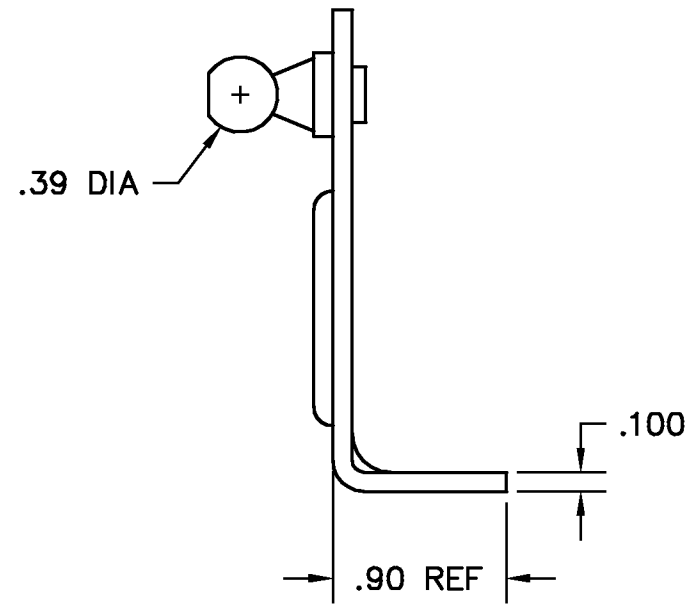
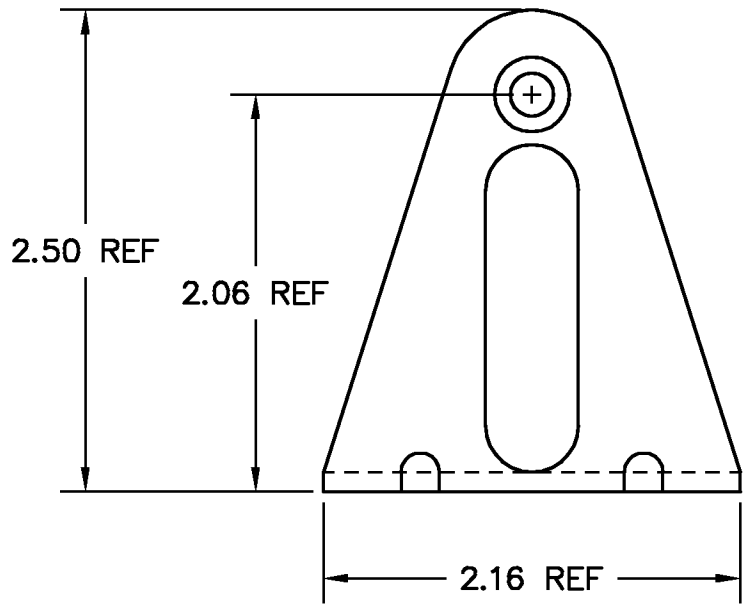
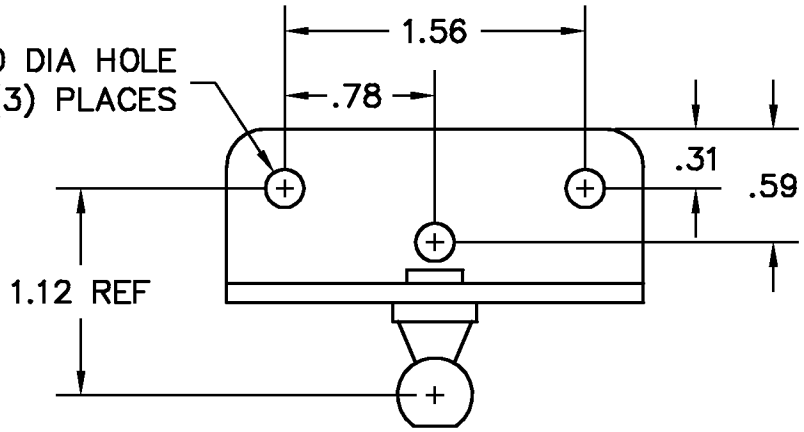


A
SIZE

PROJECTIONS



.200 DIA HOLE
(3) PLACES



TOLERANCES UNLESS OTHERWISE SPECIFIED:

PLACES	INCH
.XX	± .030
.XXX	± .015
.XXXX	± .005
ANGLE	± 3°

NOTE:

ACCEPTABLE BURR ± 10% OF MATERIAL THICKNESS
ALL TOLERANCES ARE NON-CUMULATIVE
ALL DIMENSIONS APPLY TO PART BEFORE ANY
FINISH IS APPLIED

NOTES:

1. FINISH: 47- BLACK POWDER COAT
2. AVAILABLE FOR USE WITH GUDEN P/N's EF030, EF090 AND EF110 END FITTINGS

DWG

BR201-02B

SCALE

1:1

CODE IDENT. #

DATE

07/18/96

03007

C	DESCRIPTION	DATE	APPD
C	VARIOUS CHANGES	07/10/07	CD
B	CHANGED FINISH	09/29/04	CD
A	VARIOUS CHANGES	03/26/02	CD
LTR	DESCRIPTION	DATE	APPD
REVISION			

MATERIAL	FINISH
PS	SEE NOTE
DR. BY RAG	CK. BY CD



FAX: 1-631-737-2933
EMAIL: info@guden.com
WEB: www.guden.com

99 RAYNOR AVE.
RONKONKOMA, N.Y. 11779
1-800-3-HINGES