

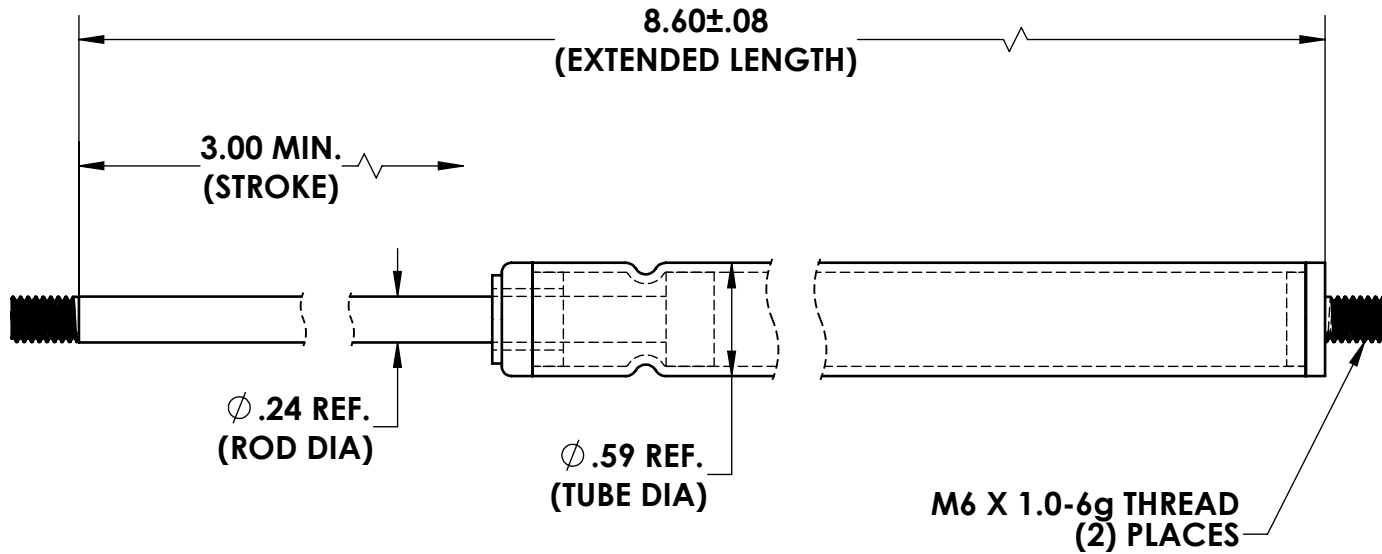
A
SIZE

PROJECTIONS



TOLERANCES UNLESS OTHERWISE SPECIFIED:

| PLACES | INCHES | NOTES: |
|--------|--------|---|
| .XX | ± .030 | ACCEPTABLE BURR ± 10% OF MATERIAL THICKNESS |
| .XXX | ± .015 | ALL TOLERANCES ARE NON-CUMULATIVE |
| .XXXX | ± .005 | ALL DIMENSIONS APPLY TO PART BEFORE ANY FINISH IS APPLIED |
| ANGLE | ± 3° | |



NOTES:

1. FINISH: 51A BLACK PAINT (TUBE) AND BLACK NITRIDE (ROD)
2. PART MARK WITH GUDEN P/N AND DATE CODE
3. HEAVY DAMPING (ORIFICE PLATE C) IN EXTENSION

| | | | | |
|-----------------------|----------|---|------------|---------------|
| DWG #: | | SCALE | 1:1 | CODE IDENT. # |
| GNE51-C | | DATE | 01/05/2016 | 03007 |
| MATERIAL: | PS | GUDEN INDUSTRIAL HARDWARE MADE EASY 99 RAYNOR AVE. RONKONKOMA, N.Y. 11779 1-800-3-HINGES | | |
| FINISH: | SEE NOTE | | | |
| DR. BY: | RAG | CK. BY: | JPG | |
| FAX: 1-631-737-2933 | | | | |
| EMAIL: info@guden.com | | | | |
| WEB: www.guden.com | | | | |

| REV. | DESCRIPTION | DATE | APPD |
|-----------|-------------|------------|------|
| A | CONVERTED | 04/13/2017 | JG |
| REVISIONS | | | |