

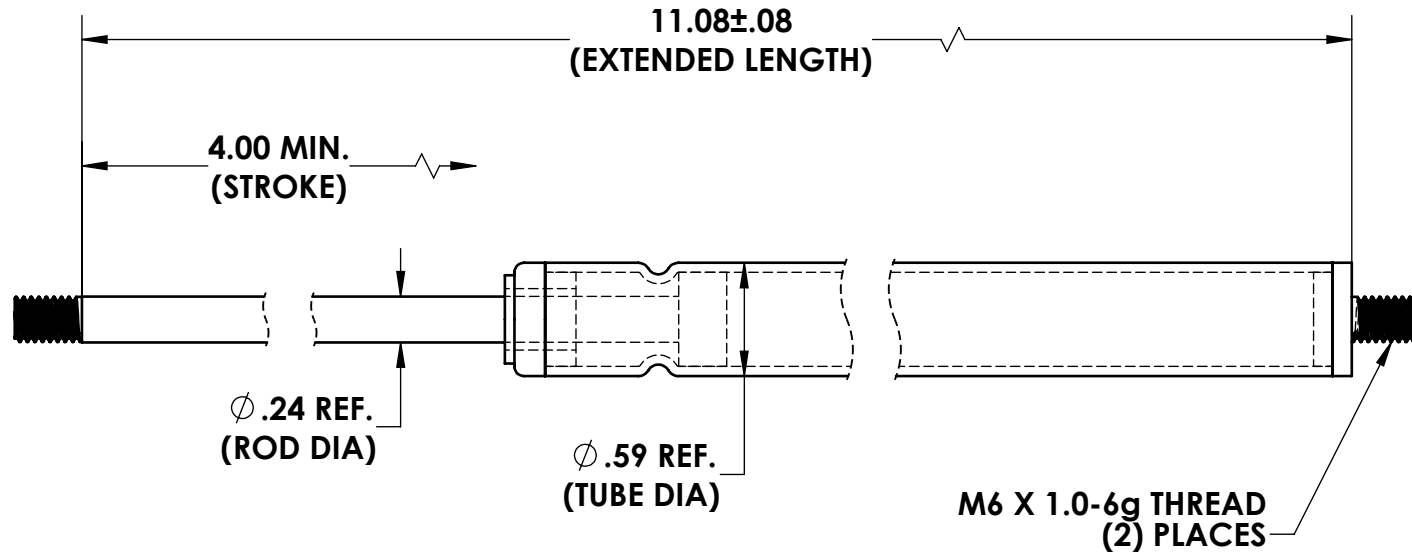
A
SIZE

PROJECTIONS



TOLERANCES UNLESS OTHERWISE SPECIFIED:

PLACES	INCHES	NOTES:
.XX	± .030	ACCEPTABLE BURR ± 10% OF MATERIAL THICKNESS
.XXX	± .015	ALL TOLERANCES ARE NON-CUMULATIVE
.XXXX	± .005	ALL DIMENSIONS APPLY TO PART BEFORE ANY FINISH IS APPLIED
ANGLE	± 3°	



NOTES:

1. FINISH: 51A BLACK PAINT (TUBE) AND BLACK NITRIDE (ROD)
2. PART MARK WITH GUDEN P/N AND DATE CODE
3. MEDIUM LIGHT DAMPING (ORIFICE PLATE N) IN COMPRESSION

DWG #:		SCALE	1:1	CODE IDENT. #
GNC52-N		DATE	01/05/2016	03007
MATERIAL:	PS	 GUDEN INDUSTRIAL HARDWARE MADE EASY 99 RAYNOR AVE. RONKONKOMA, N.Y. 11779 1-800-3-HINGES		
FINISH:	SEE NOTE			
DR. BY:	RAG	CK. BY:	JPG	
FAX: 1-631-737-2933				
EMAIL: info@guden.com				
WEB: www.guden.com				

REV.	DESCRIPTION	DATE	APPD
A	CONVERTED	04/14/2017	JG
REVISIONS			