

A
SIZE

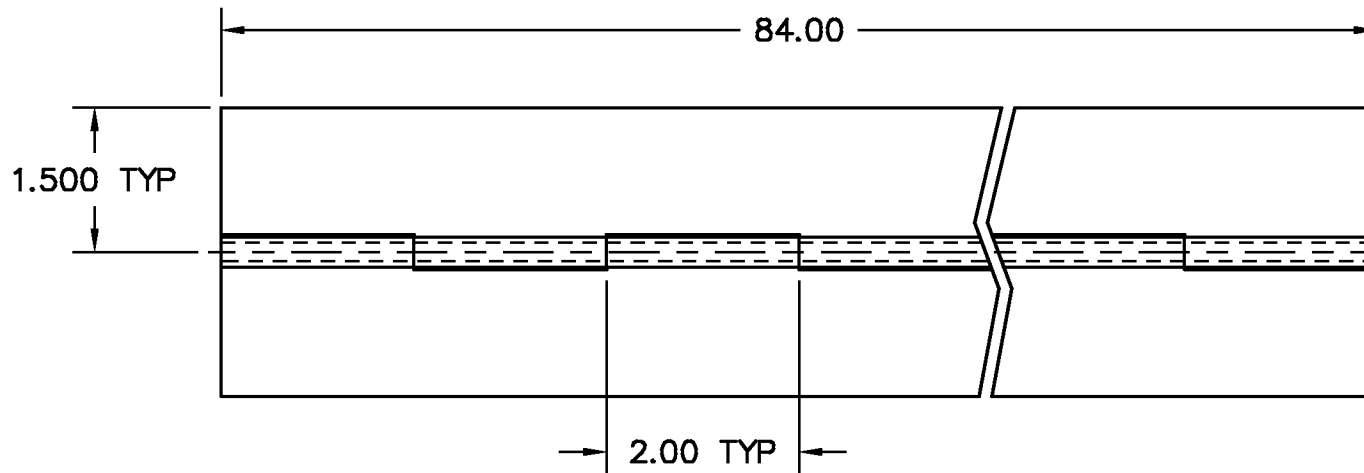
PROJECTIONS



TOLERANCES UNLESS OTHERWISE SPECIFIED:

| PLACES | INCH |
|--------|--------|
| .XX | ± .030 |
| .XXX | ± .015 |
| .XXXX | ± .005 |
| ANGLE | 3° |

NOTE:
ACCEPTABLE BURR ± 10% OF MATERIAL THICKNESS
ALL TOLERANCES ARE NON-CUMULATIVE
ALL DIMENSIONS APPLY TO PART BEFORE ANY FINISH IS APPLIED



NOTES:
1. FINISH: 00- NO FINISH

| | | | |
|-----------------------|--|------------------------|------------------------|
| DWG SS07070810-84 | | SCALE 1:2 | CODE IDENT. # 03007 |
| MATERIAL STS | | FINISH SEE NOTE | |
| DR. BY RAG | | CK. BY CD | |
| FAX: 1-631-737-2933 | | 99 RAYNOR AVE. | |
| EMAIL: info@guden.com | | RONKONKOMA, N.Y. 11779 | |
| WEB: www.guden.com | | 1-800-3-HINGES | |



| LTR | DESCRIPTION | DATE | APPD |
|-----|-------------|------|------|
| | REVISION | | |