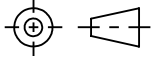


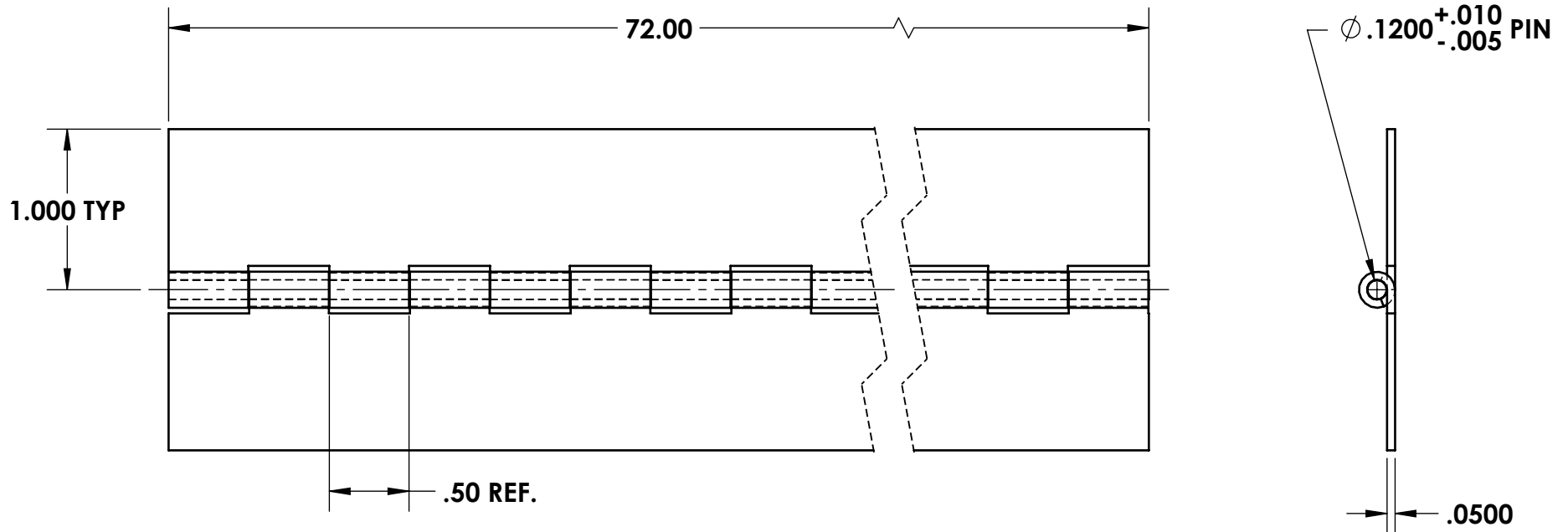
A
SIZE

PROJECTIONS



TOLERANCES UNLESS OTHERWISE SPECIFIED:

PLACES	INCHES	NOTES:
.XX	± .030	ACCEPTABLE BURR ± 10% OF MATERIAL THICKNESS
.XXX	± .015	ALL TOLERANCES ARE NON-CUMULATIVE
.XXXX	± .005	ALL DIMENSIONS APPLY TO PART BEFORE ANY FINISH IS APPLIED
ANGLE	± 3°	



NOTES:

1. FINISH: 00- NO FINISH
2. MATERIAL: LEAVES = ALUM
PIN = STS

DWG #:

AS06060408-72

SCALE

1:1

CODE IDENT. #

DATE

08/12/2004

03007

MATERIAL:
SEE NOTE

FINISH:
SEE NOTE

DR. BY: RAG

CK. BY: CD

FAX: 1-631-737-2933
 EMAIL: info@guden.com
 WEB: www.guden.com

GUDEN
 INDUSTRIAL HARDWARE MADE EASY

99 RAYNOR AVE.
 RONKONKOMA, N.Y. 11779
 1-800-3-HINGES

REV.	DESCRIPTION	DATE	APPD
A	CONVERTED	02/01/2024	JG

REVISIONS