

A
SIZE

PROJECTIONS

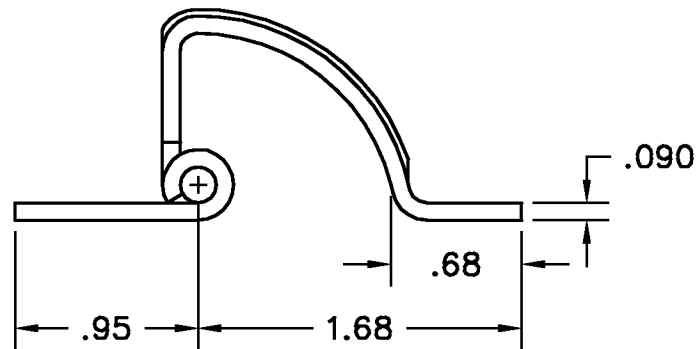
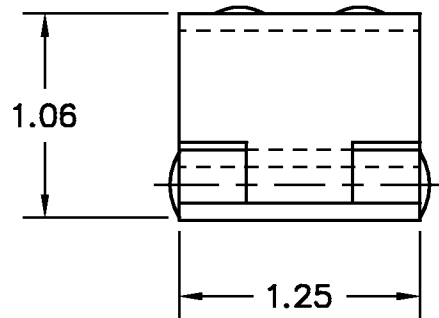
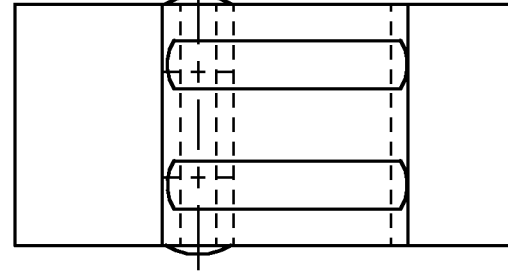


TOLERANCES UNLESS OTHERWISE SPECIFIED:

PLACES	INCH
.XX	± .030
.XXX	± .015
.XXXX	± .005
ANGLE	± 3°

NOTE:
ACCEPTABLE BURR ± 10% OF MATERIAL THICKNESS
ALL TOLERANCES ARE NON-CUMULATIVE
ALL DIMENSIONS APPLY TO PART BEFORE ANY FINISH IS APPLIED

.187 DIA PIN
SPUN BOTH ENDS




NOTES:

1. FINISH: 00- NO FINISH

LTR	DESCRIPTION	DATE	APPD
E	CLARIFIED 1.06 TO LEAF	02/06/13	JG
D	1.06 WAS 1.09	09/19/01	CD
C	REDRAWN	01/05/99	CD
B	REDRAWN, VARIOUS CHANGES	02/22/94	CD
A	1.06 WAS 1.01, 1.25 WAS 1.29	10/26/90	AG

REVISION

DWG		SCALE	1:1	CODE IDENT. #
NHSS9291		DATE	01/05/99	03007
MATERIAL	FINISH			
STS	SEE NOTE			
DR. BY RAG	CK. BY CD			
FAX: 1-631-737-2933 EMAIL: info@guden.com WEB: www.guden.com		99 RAYNOR AVE. RONKONKOMA, N.Y. 11779 1-800-3-HINGES		