

A  
SIZE

PROJECTIONS

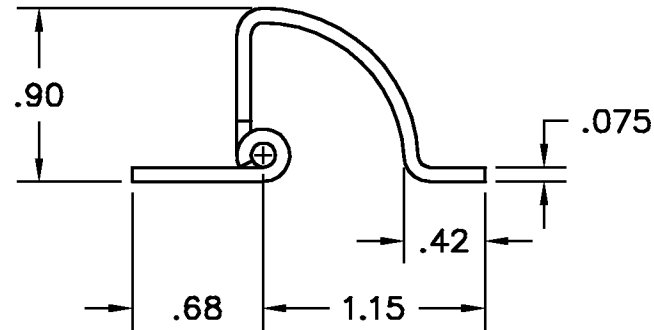
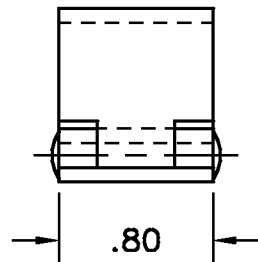
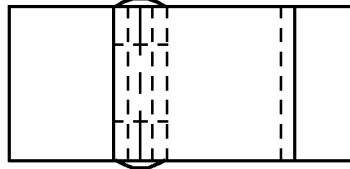


TOLERANCES UNLESS OTHERWISE SPECIFIED:

PLACES	INCH
.XX	± .030
.XXX	± .015
.XXXX	± .005
ANGLE	3°

NOTE:  
ACCEPTABLE BURR ± 10% OF MATERIAL THICKNESS  
ALL TOLERANCES ARE NON-CUMULATIVE  
ALL DIMENSIONS APPLY TO PART BEFORE ANY FINISH IS APPLIED

.125 DIA PIN  
SPUN BOTH ENDS



- NOTES:  
1. FINISH: 00- NO FINISH  
2. MATERIAL: LEAVES = ALUM  
PIN = STS

DWG NHAL9290		SCALE 1:1	CODE IDENT. # 03007
MATERIAL SEE NOTE		FINISH SEE NOTE	
DR. BY RAG		CK. BY CD	
FAX: 1-631-737-2933 EMAIL: info@guden.com WEB: www.guden.com		99 RAYNOR AVE. RONKONKOMA, N.Y. 11779 1-800-3-HINGES	



A	REVISION	DATE	APPD
	REDRAWN	01/05/99	CD
LTR	DESCRIPTION	DATE	APPD
	REVISION		