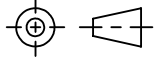


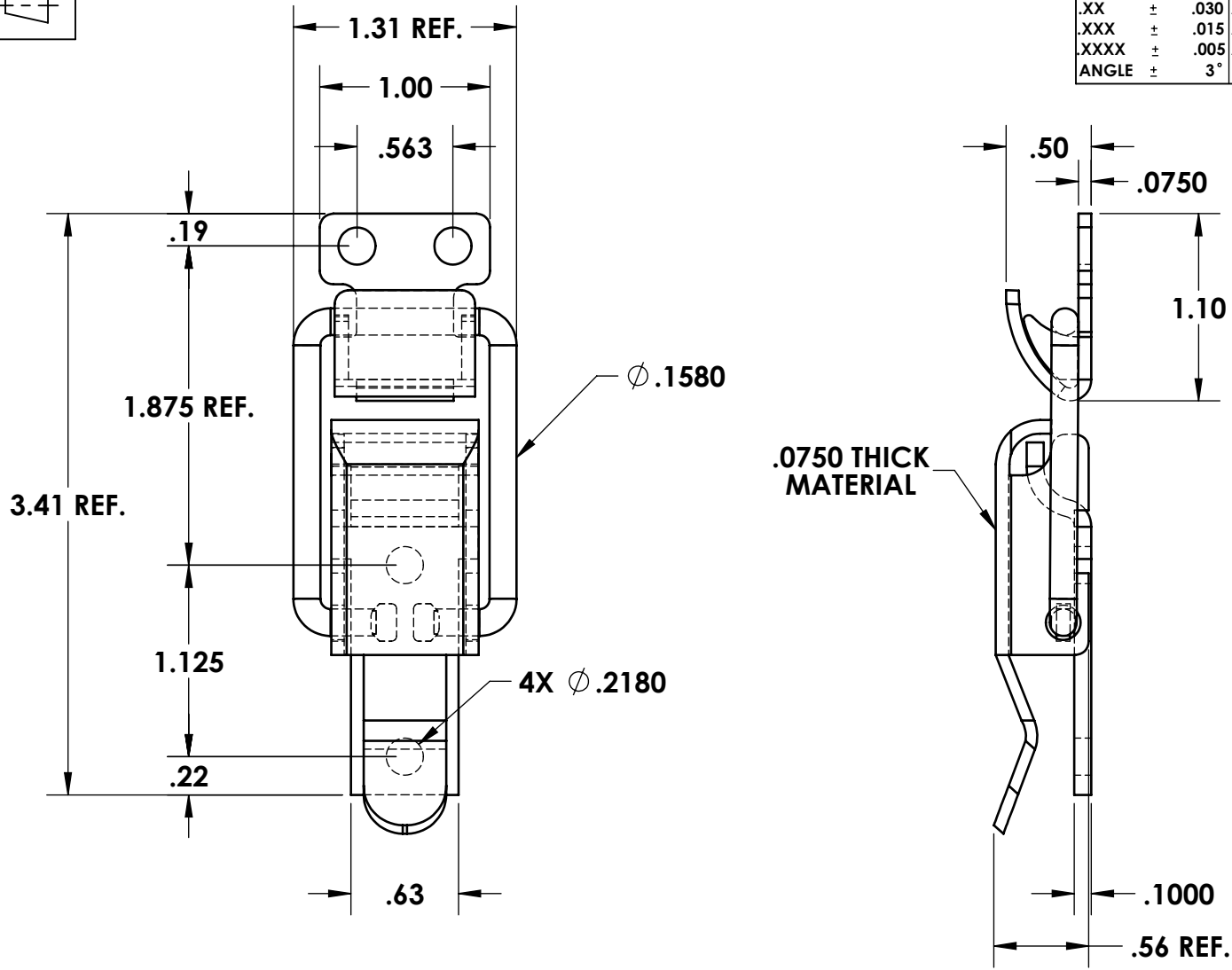
**A**  
SIZE

PROJECTIONS



TOLERANCES UNLESS OTHERWISE SPECIFIED:

PLACES	INCHES	NOTES:
.XX	± .030	ACCEPTABLE BURR ± 10% OF MATERIAL THICKNESS
.XXX	± .015	ALL TOLERANCES ARE NON-CUMULATIVE
.XXXX	± .005	ALL DIMENSIONS APPLY TO PART BEFORE ANY FINISH IS APPLIED
ANGLE	± 3°	



NOTES:  
1. FINISH: 105- BARREL ZINC AND CLEAR TRIVALENT CHROMATE

REV.	DESCRIPTION	DATE	APPD
D	VARIOUS CHANGES	11/14/2019	JG
C	VARIOUS CHANGES	01/05/2018	JG
B	.56, .1040 WAS .63, .1090	08/01/2013	JG

REVISIONS

DWG #:		SCALE	1:1	CODE IDENT. #
<b>8333-02</b>		DATE	05/01/1995	03007
MATERIAL:	FINISH:	 99 RAYNOR AVE. RONKONKOMA, N.Y. 11779 1-800-3-HINGES		
PS	SEE NOTE			
DR. BY: RAG	CK. BY: CD			
FAX: 1-631-737-2933				
EMAIL: info@guden.com				
WEB: www.guden.com				