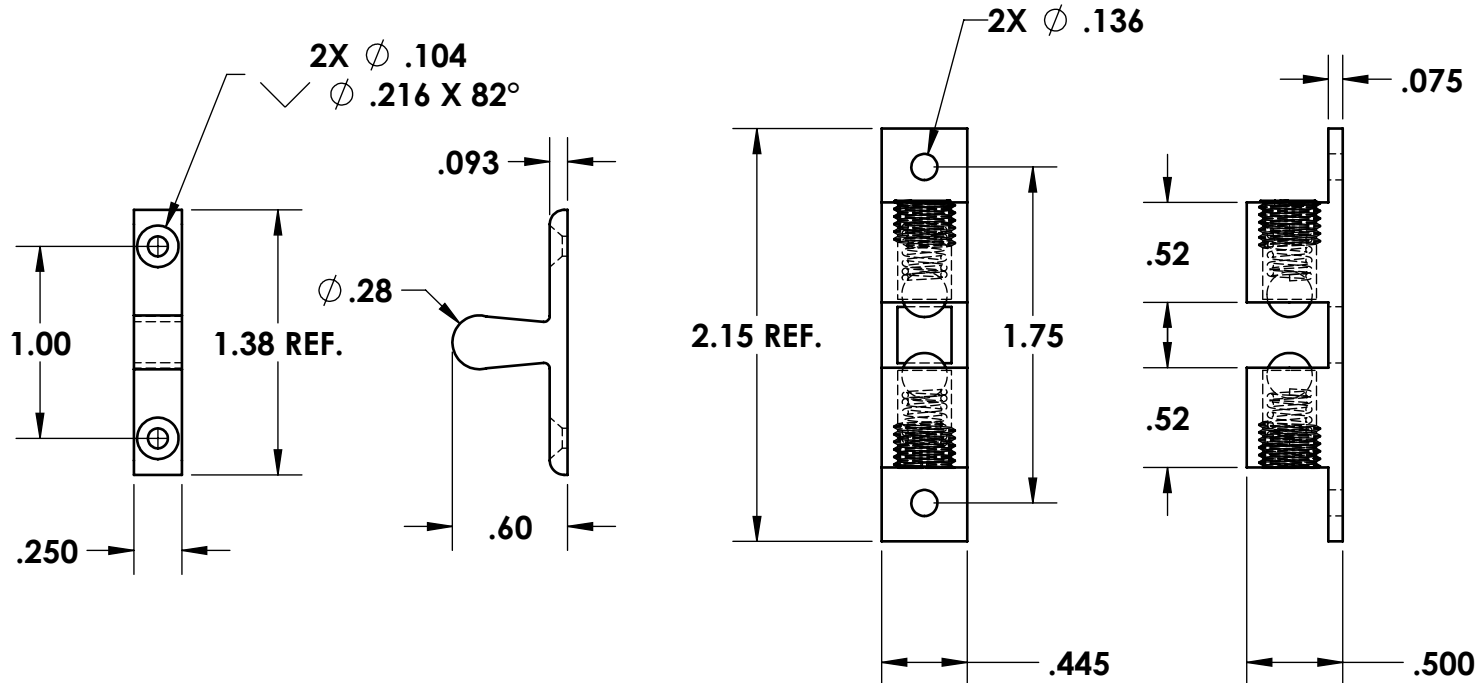
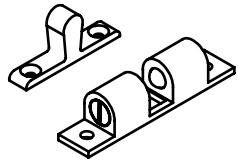


**A**  
SIZE

PROJECTIONS



TOLERANCES UNLESS OTHERWISE SPECIFIED:

PLACES	INCHES	NOTES:
.XX	$\pm .030$	ACCEPTABLE BURR $\pm 10\%$ OF MATERIAL THICKNESS
.XXX	$\pm .015$	ALL TOLERANCES ARE NON-CUMULATIVE
.XXXX	$\pm .005$	ALL DIMENSIONS APPLY TO PART BEFORE ANY FINISH IS APPLIED
ANGLE	$\pm 3^\circ$	

## NOTES:

- FINISH: 46A BRUSHED CHROME
- MATERIAL: BODY, STRIKE, BALL, AND ADJUSTER SCREW = BRASS  
SPRING = STS

REV. DESCRIPTION DATE APPD				DWG #:	SCALE	1:1	CODE IDENT. #
G	CONVERTED	07/18/2017	JG	<b>2-26D</b>	DATE	11/06/1997	03007
F	CHANGED MATERIAL	03/10/2014	JG		MATERIAL: SEE NOTE	FINISH: SEE NOTE	
E	CHANGED FINISH	02/07/2002	CD	DR. BY: RAG	CK. BY: CD		
REV.	DESCRIPTION	DATE	APPD	FAX: 1-631-737-2933 EMAIL: info@guden.com WEB: www.guden.com		<b>GUDEN</b> INDUSTRIAL HARDWARE MADE EASY 99 RAYNOR AVE. RONKONKOMA, N.Y. 11779 1-800-3-HINGES	
REVISIONS							