

**E.R. Wagner**

CASTERS & WHEELS Manufacturing Co.

331 Riverview Drive  
P.O. Box 405  
Hustisford, WI 53034-0405

TITLE: CASTER, SWIVEL, 3 1/2x1-1/4, 'AM'

MATERIAL: STAINLESS STEEL

FINISH: ELECTROPOLISH DEBURRED

**TOLERANCES**  
UNLESS OTHERWISE SPECIFIED

THIRD ANGLE PROJECTION	2 PLACE DECIMALS	3 PLACE DECIMALS	ANGLE
	±.02		

SCALE: 1:1.5

FIRST USE:

DRAWN: AAM

DATE: 9/03/05

APPROVED: BH

DATE: 9/06/05

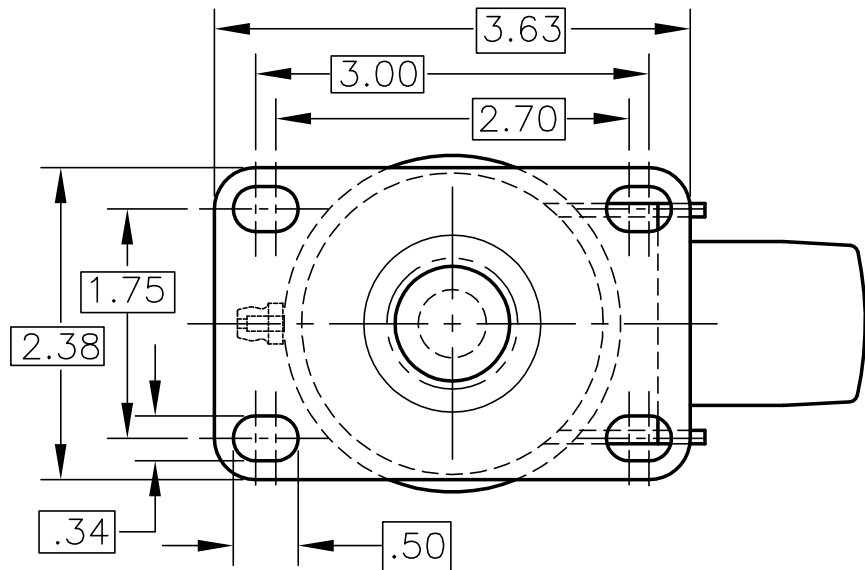
DWG. No.

7G08A9B52080FAM

A

**CHANGES**

① OAH was 4.62±.06  
Added Axle Option  
8/15/07 ECN #H-10987 AM



**CASTER ASSEMBLY, SWIVEL-3-1/2 x1-1/4 N.S.F.**

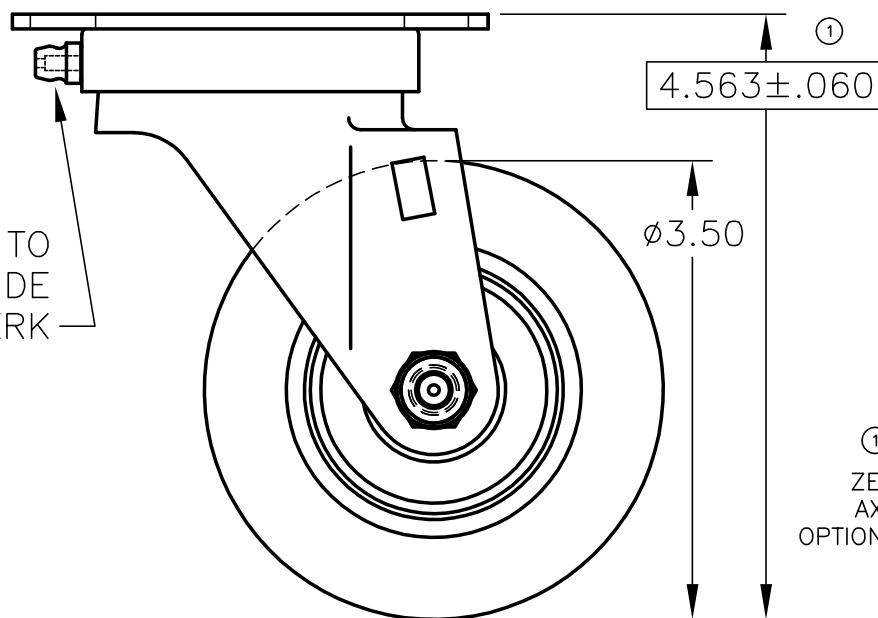
'AM' TOP PLATE,

STAINLESS STEEL RIG

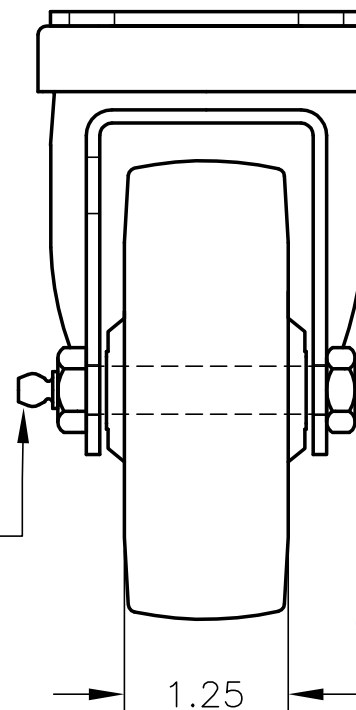
'08' = UPPER AND LOWER GREASE SEALS &  
GREASE ZERK SWIVEL AND AXLE

WHEEL = 3-1/2 X1-1/4 TPR FLAT GRAY/GRAY  
WITH DELRIN BRG.

ASSEMBLY TO  
INCLUDE  
GREASE ZERK



①  
ZERK  
AXLE  
OPTIONAL



Distributed by H. A. GUDEN CO., INC.  
Industrial Hardware Made Easy  
guden.com/casters 800-344-6437  
info@guden.com 631-737-2900