

E.R. Wagner

CASTERS & WHEELS Manufacturing Co.

331 Riverview Drive
P.O. Box 405
Hustisford, WI 53034-0405

TITLE: CASTER 5x1-3/8 SWIVEL

MATERIAL:

FINISH: ZINC PLATE

TOLERANCES
UNLESS OTHERWISE SPECIFIED

THIRD ANGLE PROJECTION	2 PLACE DECIMALS	3 PLACE DECIMALS	ANGLE
			

SCALE: 1:2

FIRST USE: 3F28

DRAWN: BH

DATE: 4/18/12

APPROVED: JA

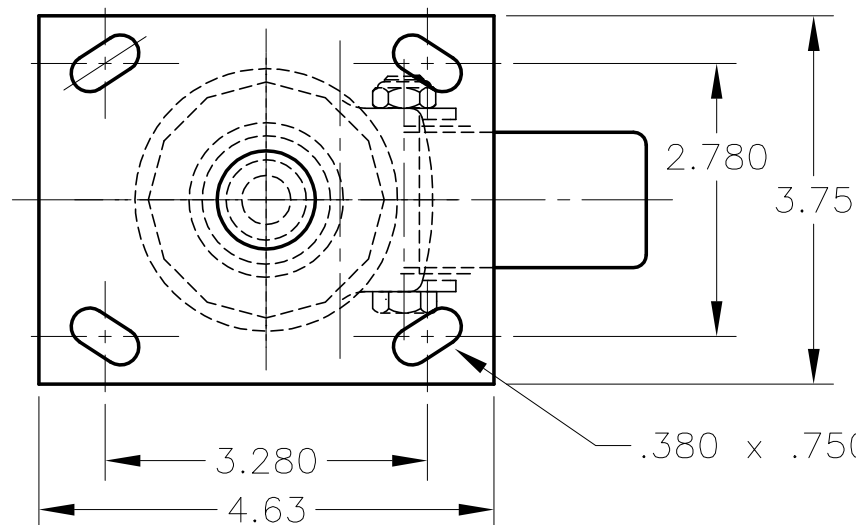
DATE: 4/18/12

DWG. No.

3F28B5C27000199

A

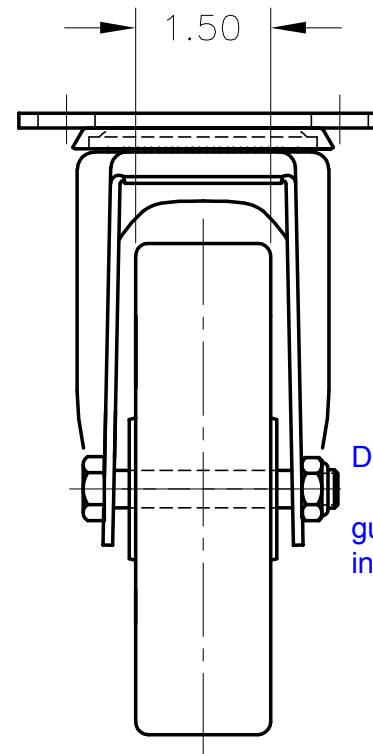
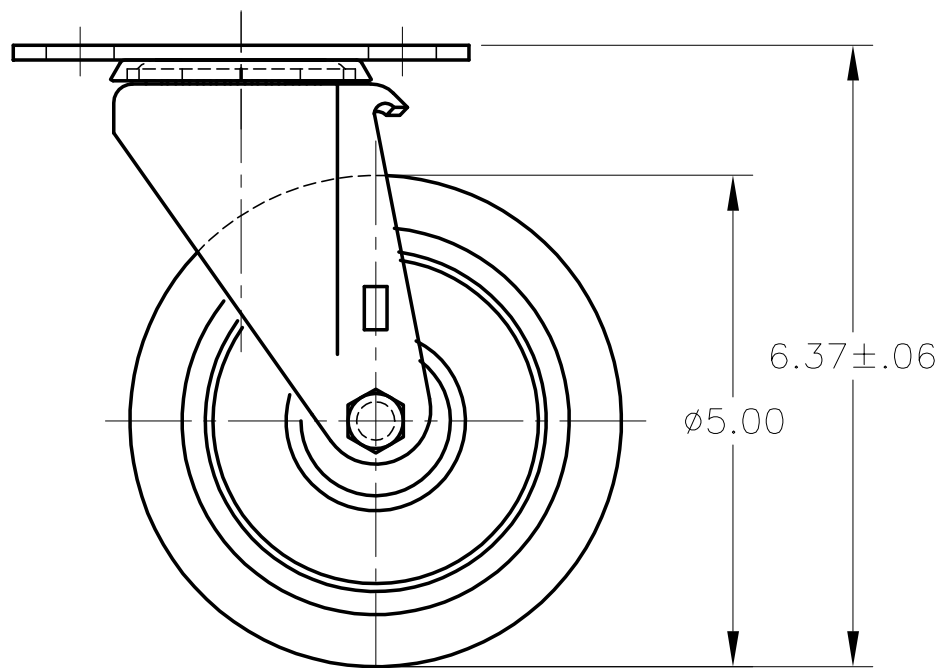
(SALES PRINT)

CHANGESNOTES:

LOAD CAPACITY: 450 POUNDS.

SWIVEL RADIUS: 3.94"

BLACK POLY WHEEL WITH ROLLER BRG.



Distributed by **H. A. GUDEN CO., INC.**
 Industrial Hardware Made Easy
guden.com/casters 800-344-6437
info@guden.com 631-737-2900

CUSTOMER DRAWINGS ARE THE PROPERTY OF
 E.R. WAGNER MFG. CO. CASTERS & WHEELS DIV.
 AND ARE FOR REFERENCE ONLY. DRAWINGS ARE SUBJECT
 TO CHANGE WITHOUT NOTIFICATION. ELECTRONIC FILES ARE
 NOT TO BE USED FOR DIMENSIONAL ACCURACY, OR TO BE
 MODIFIED, OR COPIED.