

**E.R. Wagner**  
 CASTERS & WHEELS Manufacturing Co.  
 331 Riverview Drive  
 P.O. Box 405  
 Hustisford, WI 53034-0405

TITLE: CASTER, 4x1 1/2, PLSW W/BRAKE

MATERIAL:

FINISH: ZINC PLATE

**TOLERANCES**  
 UNLESS OTHERWISE SPECIFIED

THIRD ANGLE PROJECTION	2 PLACE DECIMALS	3 PLACE DECIMALS	ANGLE
SCALE: 1:2		FIRST USE:	

DRAWN: BH

DATE: 12/7/09

APPROVED: JA

DATE: 12/8/09

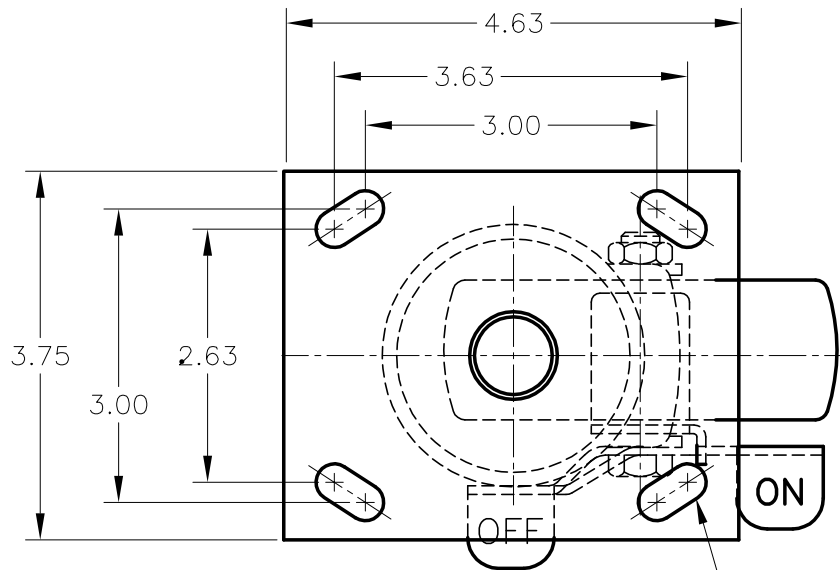
DRAWING NUMBER - REV.

3F28B4438005199-00

(SALES PRINT)

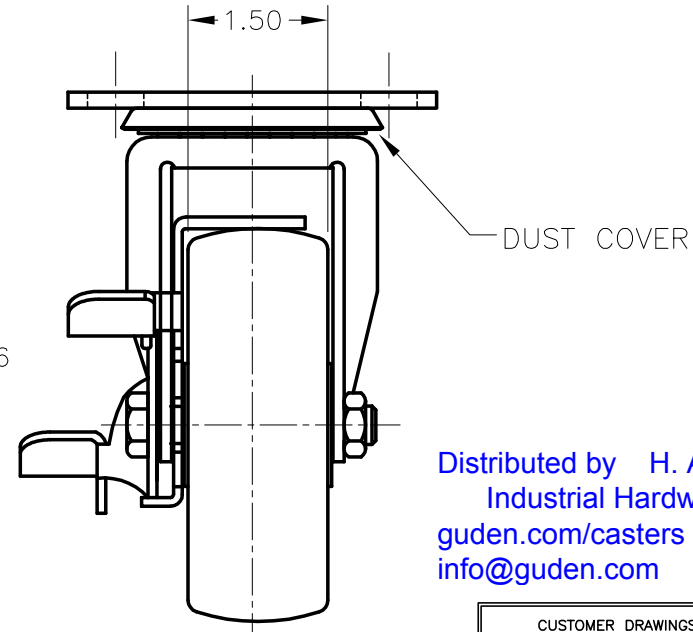
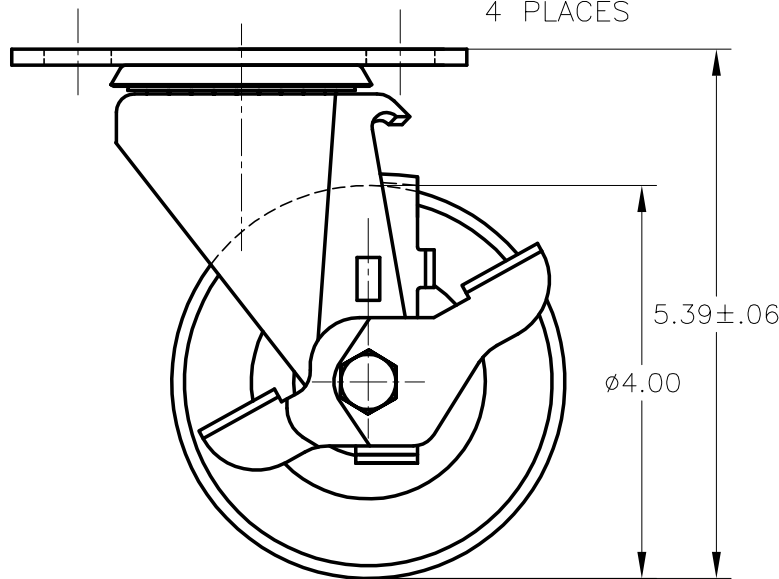
SIZE  
A

**CHANGES**



**NOTE:**  
 PHENOLIC WHEEL WITH ROLLER BRG.  
 LOAD CAPACITY = 450 LBS.  
 SWIVEL RADIUS = 3 1/2"

3/8 x 3/4 SLOT  
 4 PLACES



Distributed by **H. A. GUDEN CO., INC.**  
 Industrial Hardware Made Easy  
[guden.com/casters](http://guden.com/casters) 800-344-6437  
[info@guden.com](mailto:info@guden.com) 631-737-2900

CUSTOMER DRAWINGS ARE THE PROPERTY OF  
 E.R. WAGNER MFG. CO. CASTERS & WHEELS DIV.  
 AND ARE FOR REFERENCE ONLY. DRAWINGS ARE SUBJECT  
 TO CHANGE WITHOUT NOTIFICATION. ELECTRONIC FILES ARE  
 NOT TO BE USED FOR DIMENSIONAL ACCURACY, OR TO BE  
 MODIFIED, OR COPIED.