

E.R. Wagner
 CASTERS & WHEELS Manufacturing Co.
 331 Riverview Drive
 P.O. Box 405
 Hustisford, WI 53034-0405

TITLE: CASTER, 4x1 1/4, PLSW

MATERIAL:

FINISH: ZINC PLATE

TOLERANCES
 UNLESS OTHERWISE SPECIFIED

THIRD ANGLE PROJECTION	2 PLACE DECIMALS	3 PLACE DECIMALS	ANGLE

SCALE: 1:2

FIRST USE:

DRAWN: BH

DATE: 12/7/09

APPROVED: JA

DATE: 12/8/09

DRAWING NUMBER - REV.

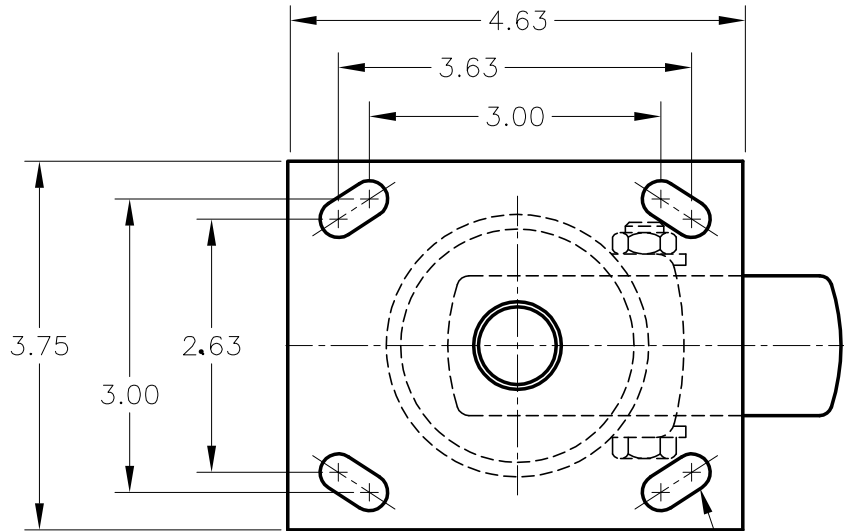
3F28B4438000199-00

(SALES PRINT)

SIZE

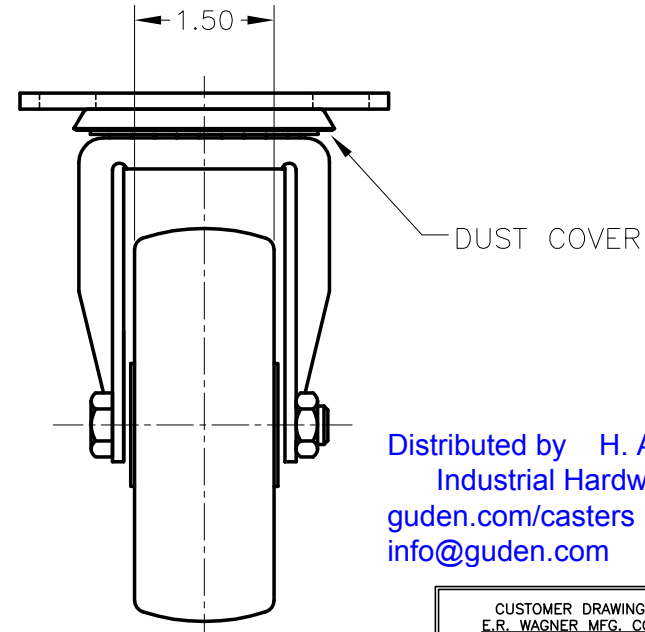
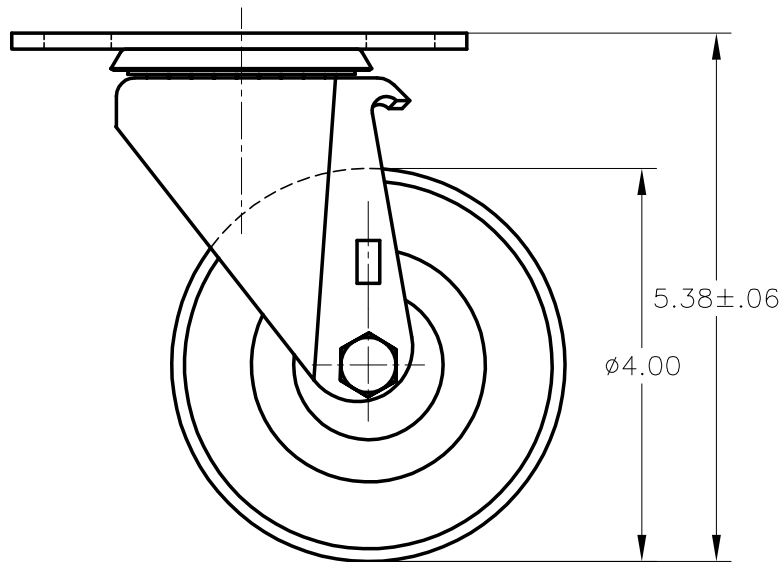
A

CHANGES



NOTE:
 PHENOLIC WHEEL WITH ROLLER BRG.
 LOAD CAPACITY = 450 LBS.
 SWIVEL RADIUS = 3 3/8"

3/8 x 3/4 SLOT
 4 PLACES



Distributed by **H. A. GUDEN CO., INC.**
 Industrial Hardware Made Easy
guden.com/casters 800-344-6437
info@guden.com 631-737-2900

CUSTOMER DRAWINGS ARE THE PROPERTY OF
 E.R. WAGNER MFG. CO. CASTERS & WHEELS DIV.
 AND ARE FOR REFERENCE ONLY. DRAWINGS ARE SUBJECT
 TO CHANGE WITHOUT NOTIFICATION. ELECTRONIC FILES ARE
 NOT TO BE USED FOR DIMENSIONAL ACCURACY, OR TO BE
 MODIFIED, OR COPIED.