

TITLE: CASTER, SWIVEL, 6"x1 1/2" W/BRAKE

MATERIAL:

FINISH: NICKEL PLATE

TOLERANCES
 UNLESS OTHERWISE SPECIFIED

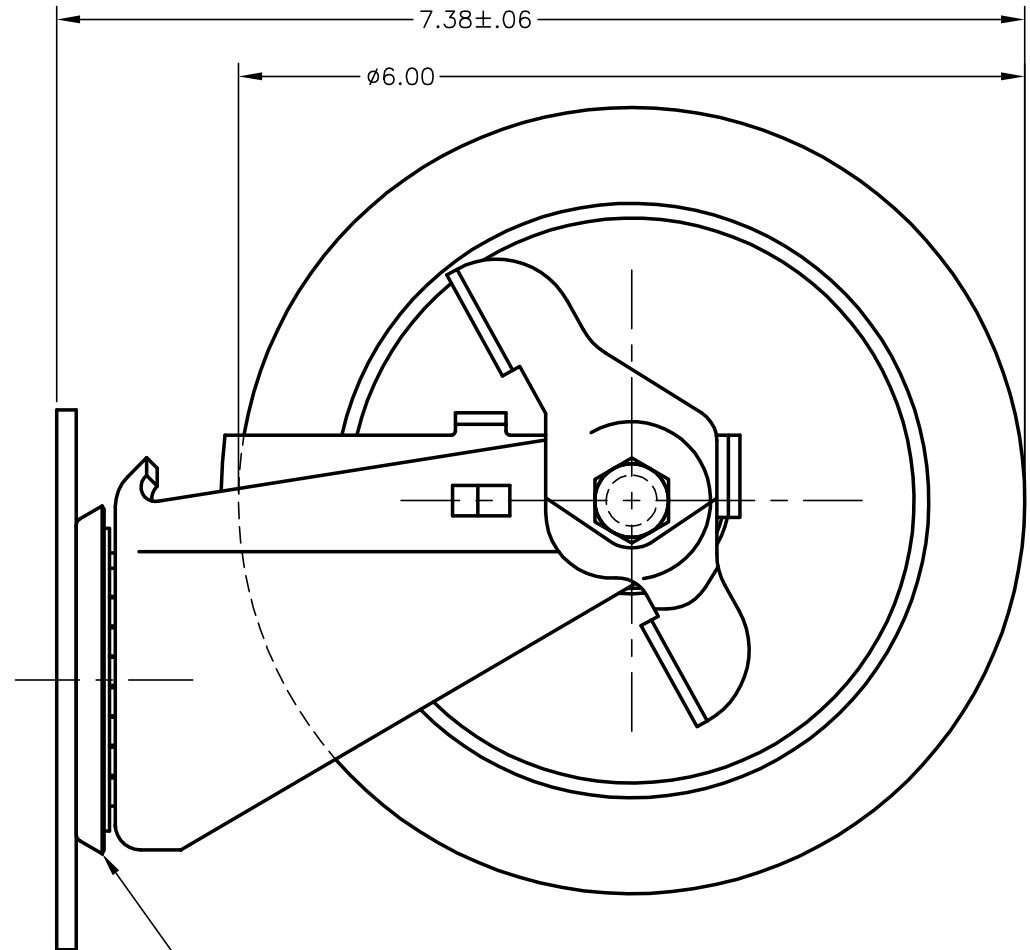
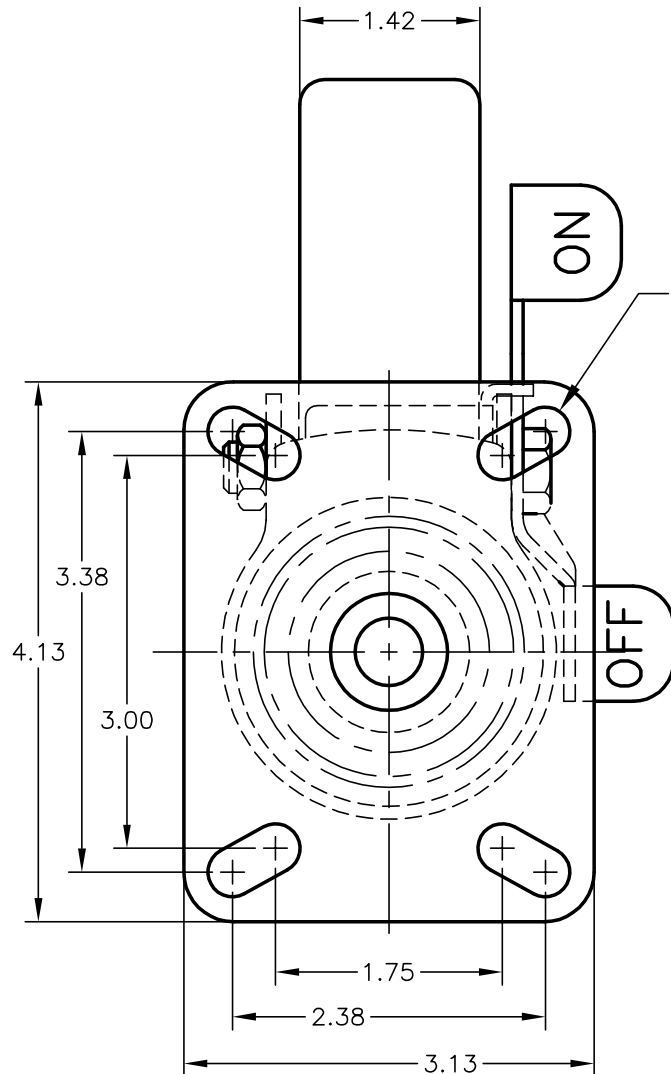
| THIRD ANGLE PROJECTION | 2 PLACE DECIMALS | 3 PLACE DECIMALS | ANGLE |
|------------------------|------------------|------------------|-------|
| | | | |
| SCALE: 1:1.5 | | FIRST USE: 3F | |

DRAWN: BH
 DATE: 2/1/10
 APPROVED: JA
 DATE: 2/1/10

DWG. No. **3F28A6B27005797**
 (SALES PRINT)
CHANGES

NOTE:
 LOAD RATING = 450 LBS.
 WHEEL = BLACK SOLID POLYPROPYLENE
 SWIVEL RADIUS = 4 7/16"

Distributed by **H. A. GUDEN CO., INC.**
 Industrial Hardware Made Easy
guden.com/casters 800-344-6437
info@guden.com 631-737-2900



DUST COVER AND SEALS

CUSTOMER DRAWINGS ARE THE PROPERTY OF
 E.R. WAGNER MFG. CO. CASTERS & WHEELS DIV.
 AND ARE FOR REFERENCE ONLY. DRAWINGS ARE SUBJECT
 TO CHANGE WITHOUT NOTIFICATION. ELECTRONIC FILES ARE
 NOT TO BE USED FOR DIMENSIONAL ACCURACY, OR TO BE
 MODIFIED, OR COPIED.