

E.R. Wagner

CASTERS & WHEELS Manufacturing Co.

331 Riverview Drive
P.O. Box 405
Hustisford, WI 53034-0405

TITLE: CASTER, SWIVEL, 6" x 1-3/8"

MATERIAL:

FINISH: NICKEL PLATE

TOLERANCES

UNLESS OTHERWISE SPECIFIED

THIRD ANGLE PROJECTION	2 PLACE DECIMALS	3 PLACE DECIMALS	ANGLE

SCALE: 1:1.5

FIRST USE: 3F

DRAWN: JA

DATE: 11/26/08

APPROVED: BH

DATE: 11/26/08

DWG. No.

3F28A6B27000797

(SALES PRINT)

CHANGES

A

NOTES:

- 1) SWIVEL RADIUS = 4.44"
- 2) LOAD CAPACITY = 450 Lbs.
- 3) WHEEL = SOLID BLACK POLYPROPYLENE
- 4) CASTER HAS UPPER AND LOWER SEALS

Distributed by **H. A. GUDEN CO., INC.**

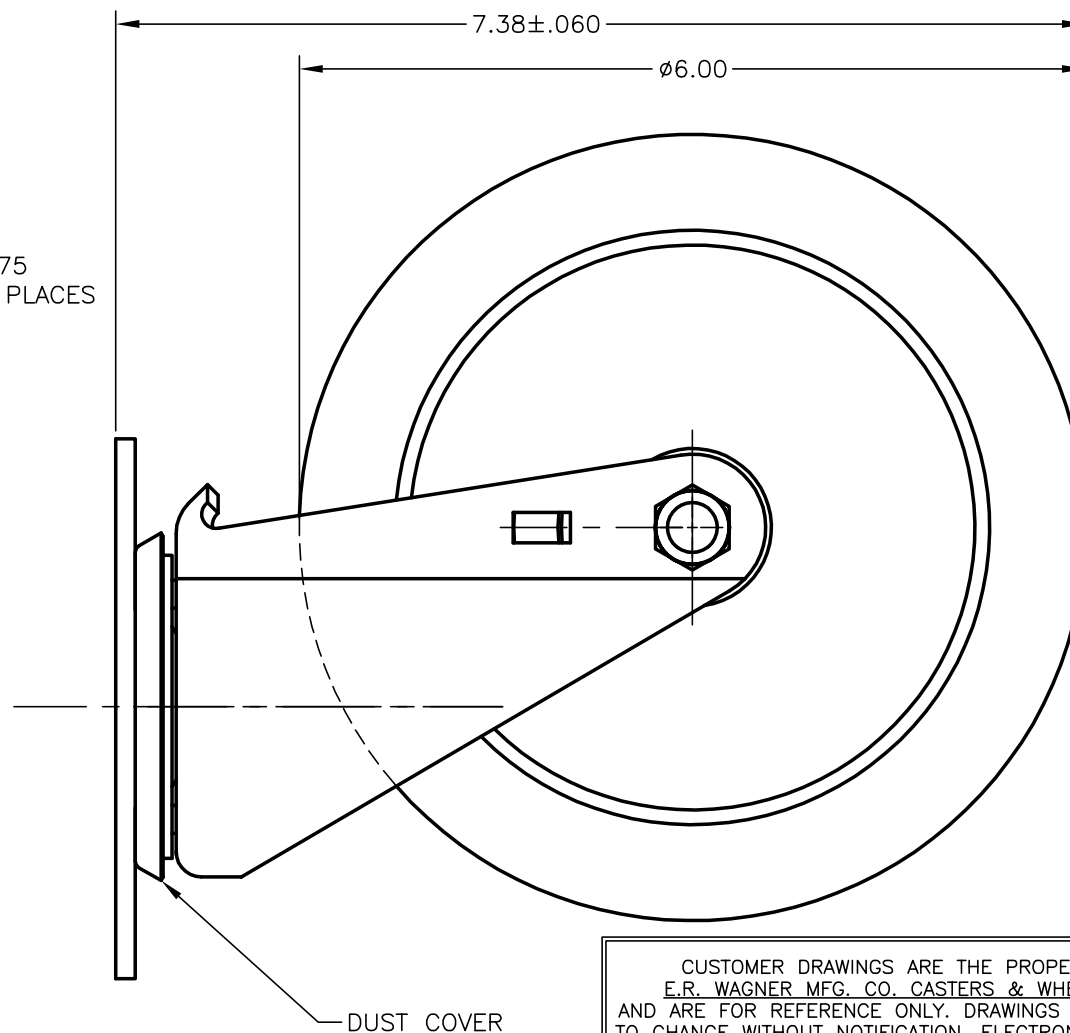
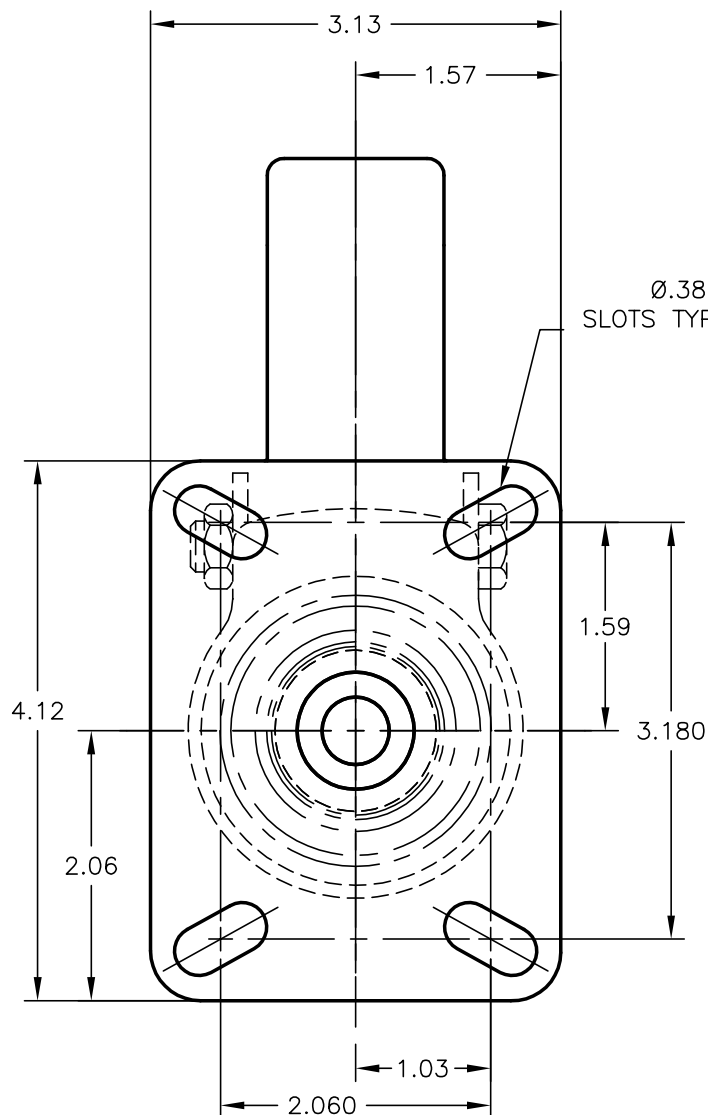
Industrial Hardware Made Easy

guden.com/casters

800-344-6437

info@guden.com

631-737-2900



CUSTOMER DRAWINGS ARE THE PROPERTY OF
E.R. WAGNER MFG. CO. CASTERS & WHEELS DIV.
AND ARE FOR REFERENCE ONLY. DRAWINGS ARE SUBJECT
TO CHANGE WITHOUT NOTIFICATION. ELECTRONIC FILES ARE
NOT TO BE USED FOR DIMENSIONAL ACCURACY, OR TO BE
MODIFIED, OR COPIED.