

TITLE: CASTER, SWIVEL, 6" x 1-3/8"
 MATERIAL:
 FINISH: NICKEL PLATE

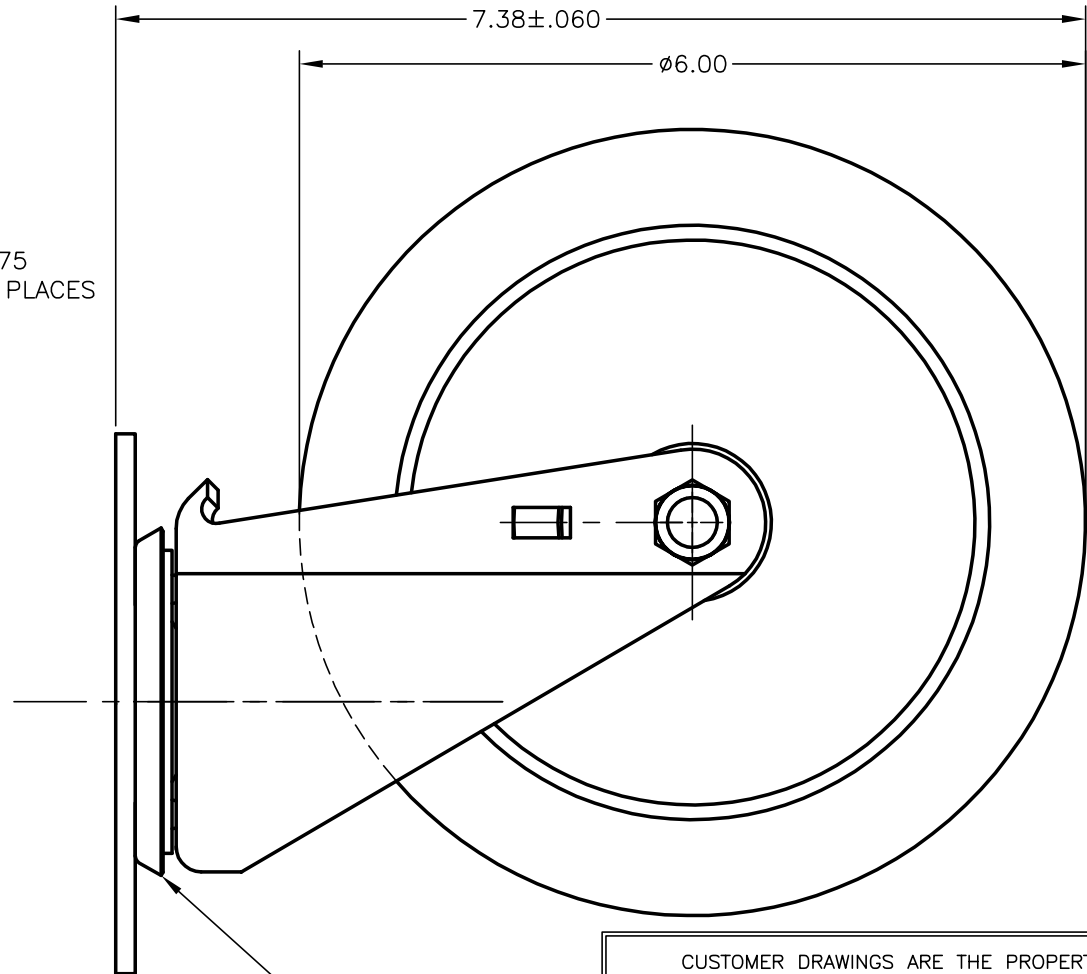
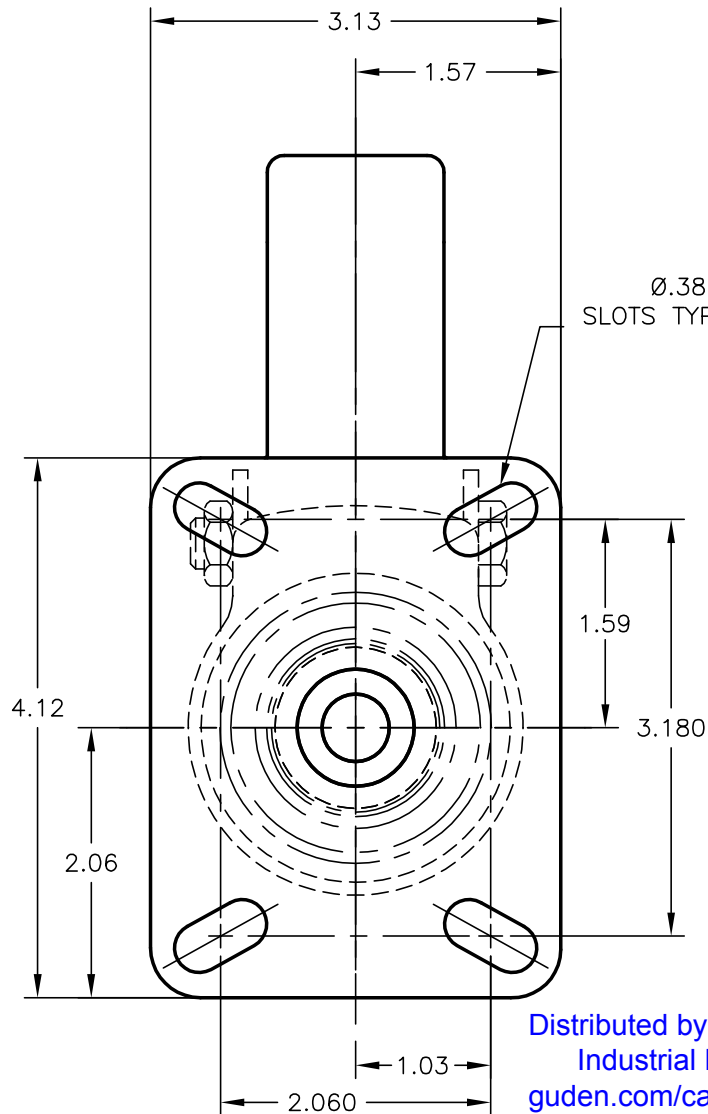
TOLERANCES UNLESS OTHERWISE SPECIFIED			
THIRD ANGLE PROJECTION	2 PLACE DECIMALS	3 PLACE DECIMALS	ANGLE
SCALE: 1:1.5		FIRST USE: 3F	

DRAWN: JA
 DATE: 11/26/08
 APPROVED: BH
 DATE: 11/26/08

DWG. No.
3F28A6B25000797
 (SALES PRINT)
CHANGES

NOTES:

- 1) SWIVEL RADIUS = 4.44"
- 2) LOAD CAPACITY = 450 Lbs.
- 3) WHEEL = BLUE POLYURETHANE TREAD ON GRAY POLYPROPYLENE HUB WITH DELRIN BEARING
- 4) CASTER HAS UPPER AND LOWER SEALS



Distributed by **H. A. GUDEN CO., INC.**
 Industrial Hardware Made Easy
guden.com/casters 800-344-6437
info@guden.com 631-737-2900

CUSTOMER DRAWINGS ARE THE PROPERTY OF
 E.R. WAGNER MFG. CO. CASTERS & WHEELS DIV.
 AND ARE FOR REFERENCE ONLY. DRAWINGS ARE SUBJECT
 TO CHANGE WITHOUT NOTIFICATION. ELECTRONIC FILES ARE
 NOT TO BE USED FOR DIMENSIONAL ACCURACY, OR TO BE
 MODIFIED, OR COPIED.