

TITLE: **CASTER 5X1-1/4 PLATE SWIVEL W/BK**

MATERIAL:

NOTE:

FINISH: NICKEL

CAT No.

**TOLERANCES**  
UNLESS OTHERWISE SPECIFIED

THIRD ANGLE PROJECTION	2 PLACE DECIMALS	3 PLACE DECIMALS	ANGLE
	±.02	±.010	±3°

SCALE: 1:2

SIZE: **A**

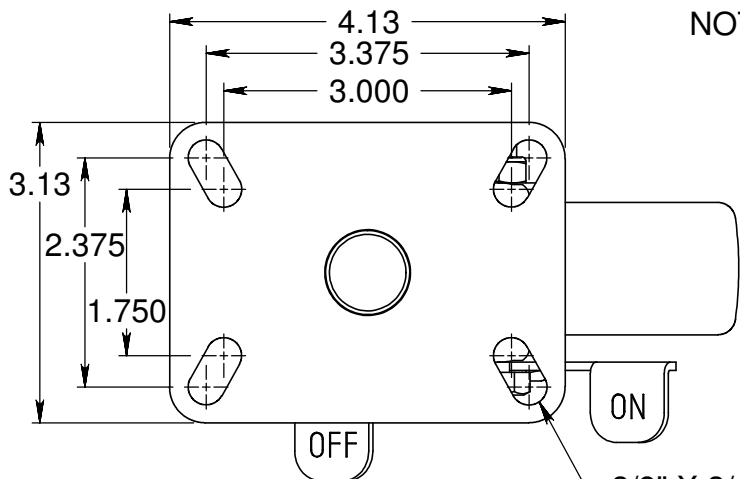
DRAWING NUMBER-REV.

**3F28A5B27005797-00**

DRAWN: JA  
DATE: 7/5/12  
APPROVED: BH  
DATE: 7/5/12

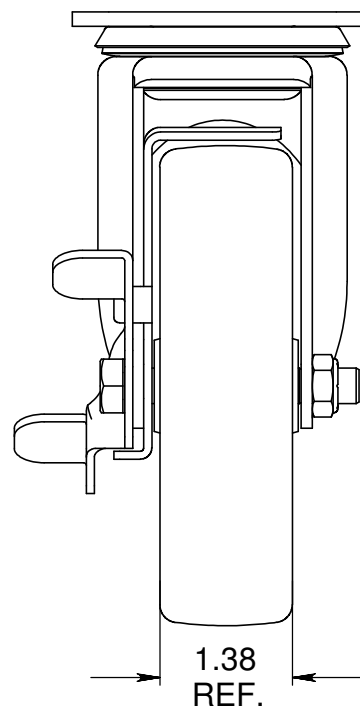
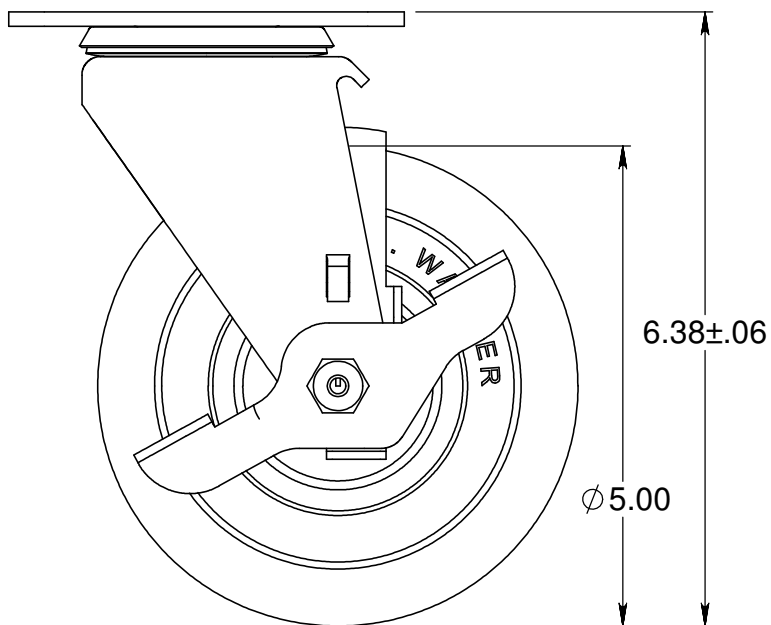
PROPRIETARY

NO PART OF THIS DOCUMENT MAY BE REPRODUCED, STORED IN A RETRIEVAL SYSTEM, OR TRANSMITTED IN ANY FORM, WITHOUT THE WRITTEN PERMISSION OF E.R. WAGNER



NOTE:  
WHEEL: SOLID BLACK POLYPROPYLENE  
SWIVEL RADIUS: 3 15/16"  
LOAD CAPACITY: 450 Lbs.  
CASTER INCLUDES UPPER AND LOWER SEALS.

3/8" X 3/4" SLOTS  
TYP. 4



Distributed by **H. A. GUDEN CO., INC.**  
Industrial Hardware Made Easy  
guden.com/casters 800-344-6437  
info@guden.com 631-737-2900