

E.R. Wagner
CASTERS & WHEELS Manufacturing Co.

331 Riverview Drive
P.O. Box 405
Hustisford, WI 53034 - 0405

TITLE: **CASTER 5X1-1/4 PLATE SWIVEL W/BK**

MATERIAL:

NOTE:

FINISH: NICKEL

CAT No.

TOLERANCES
UNLESS OTHERWISE SPECIFIED

THIRD ANGLE PROJECTION	2 PLACE DECIMALS	3 PLACE DECIMALS	ANGLE
	±.02	±.010	±3°

SCALE: 1:2

SIZE: A

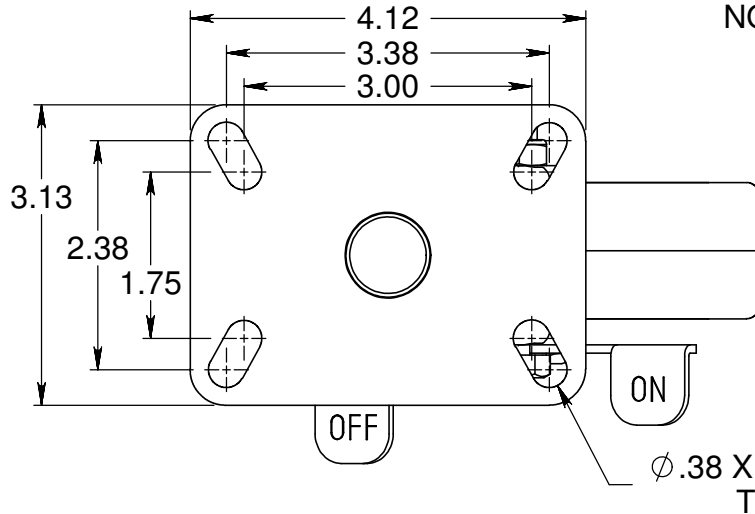
DRAWING NUMBER-REV.

3F28A5B25005797-00

DRAWN: JA
DATE: 7/5/12
APPROVED: BH
DATE: 7/5/12

PROPRIETARY

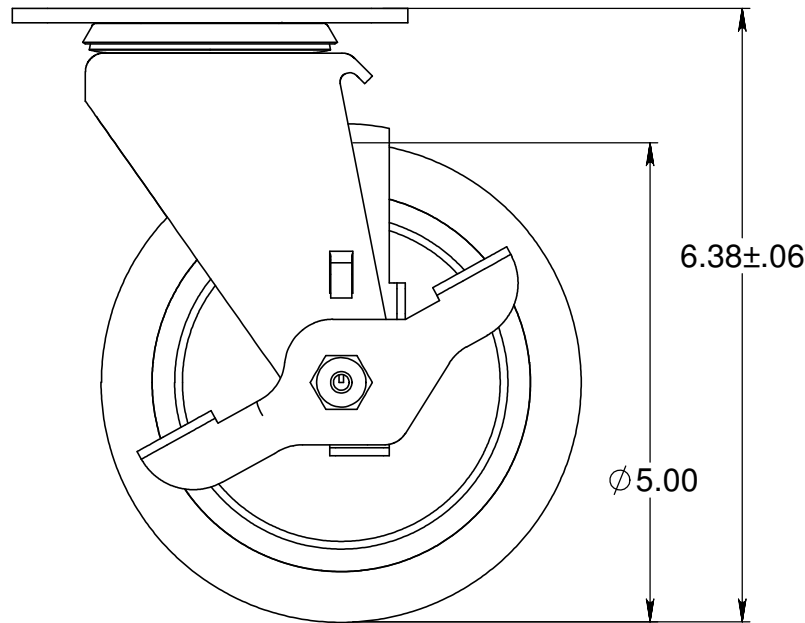
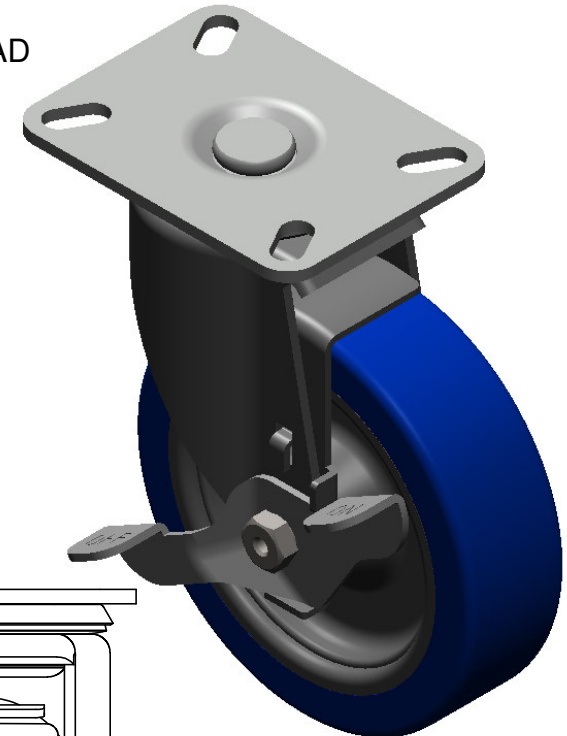
NO PART OF THIS DOCUMENT MAY BE REPRODUCED, STORED IN A RETRIEVAL SYSTEM, OR TRANSMITTED IN ANY FORM, WITHOUT THE WRITTEN PERMISSION OF E.R. WAGNER



NOTES:

WHEEL = DARK BLUE URETHANE TREAD ON GRAY POLYPROPYLENE HUB WITH DELRIN BEARING.
LOAD CAPACITY = 450 Lbs
SWIVEL RADIUS = 3-15/16"

Distributed by **H. A. GUDEN CO., INC.**
Industrial Hardware Made Easy
guden.com/casters 800-344-6437
info@guden.com 631-737-2900



INCLUDES
DUST COVER,
UPPER
AND LOWER
SEALS

