

TITLE: **CASTER 4x1-3/8 PLATE SWIVEL**

MATERIAL:

NOTE:

FINISH: **NICKEL**

CAT No.

TOLERANCES
UNLESS OTHERWISE SPECIFIED

THIRD ANGLE PROJECTION	2 PLACE DECIMALS	3 PLACE DECIMALS	ANGLE

SCALE: **1:2**

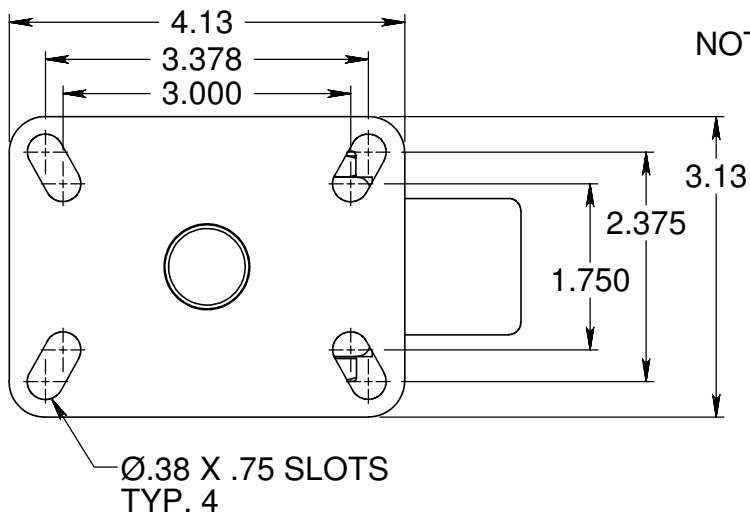
SIZE: **A**

DRAWING NUMBER-REV.

3F28A4B25000797R

DRAWN: JA
DATE: 6/6/12
APPROVED: BH
DATE: 6/6/12

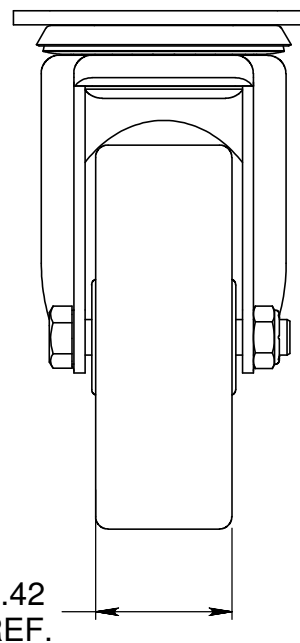
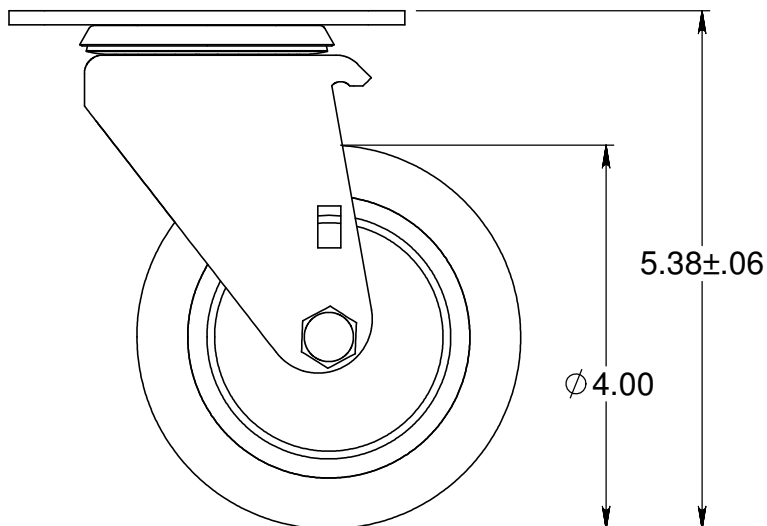
PROPRIETARY
NO PART OF THIS DOCUMENT MAY BE REPRODUCED,
STORED IN A RETRIEVAL SYSTEM, OR TRANSMITTED IN
ANY FORM, WITHOUT THE WRITTEN PERMISSION OF
E.R. WAGNER



NOTES:

LOAD CAPACITY = 375lbs
SWIVEL RADIUS = 3-3/8"
WHEEL = BLUE POLYURETHANE
TREAD ON GRAY POLYPROPYLENE
HUB WITH DELRIN BEARING
GREASE SEALS = UPPER AND LOWER

NSF LISTED = 3F28A4B25000797



Distributed by **H. A. GUDEN CO., INC.**
Industrial Hardware Made Easy
guden.com/casters 800-344-6437
info@guden.com 631-737-2900