

E.R. Wagner

CASTERS & WHEELS Manufacturing Co.

331 Riverview Drive
P.O. Box 405
Hustisford, WI 53034-0405

TITLE: CASTER, RIGID, 6" x 1-3/8"

MATERIAL:

FINISH: NICKEL PLATE

TOLERANCES
UNLESS OTHERWISE SPECIFIED

THIRD ANGLE PROJECTION	2 PLACE DECIMALS	3 PLACE DECIMALS	ANGLE

SCALE: 1:1.5

FIRST USE: 3F

DRAWN: BH

DATE: 2/1/10

APPROVED: JA

DATE: 2/1/10

DWG. No.

3F2346B25000797

(SALES PRINT)

CHANGES

A

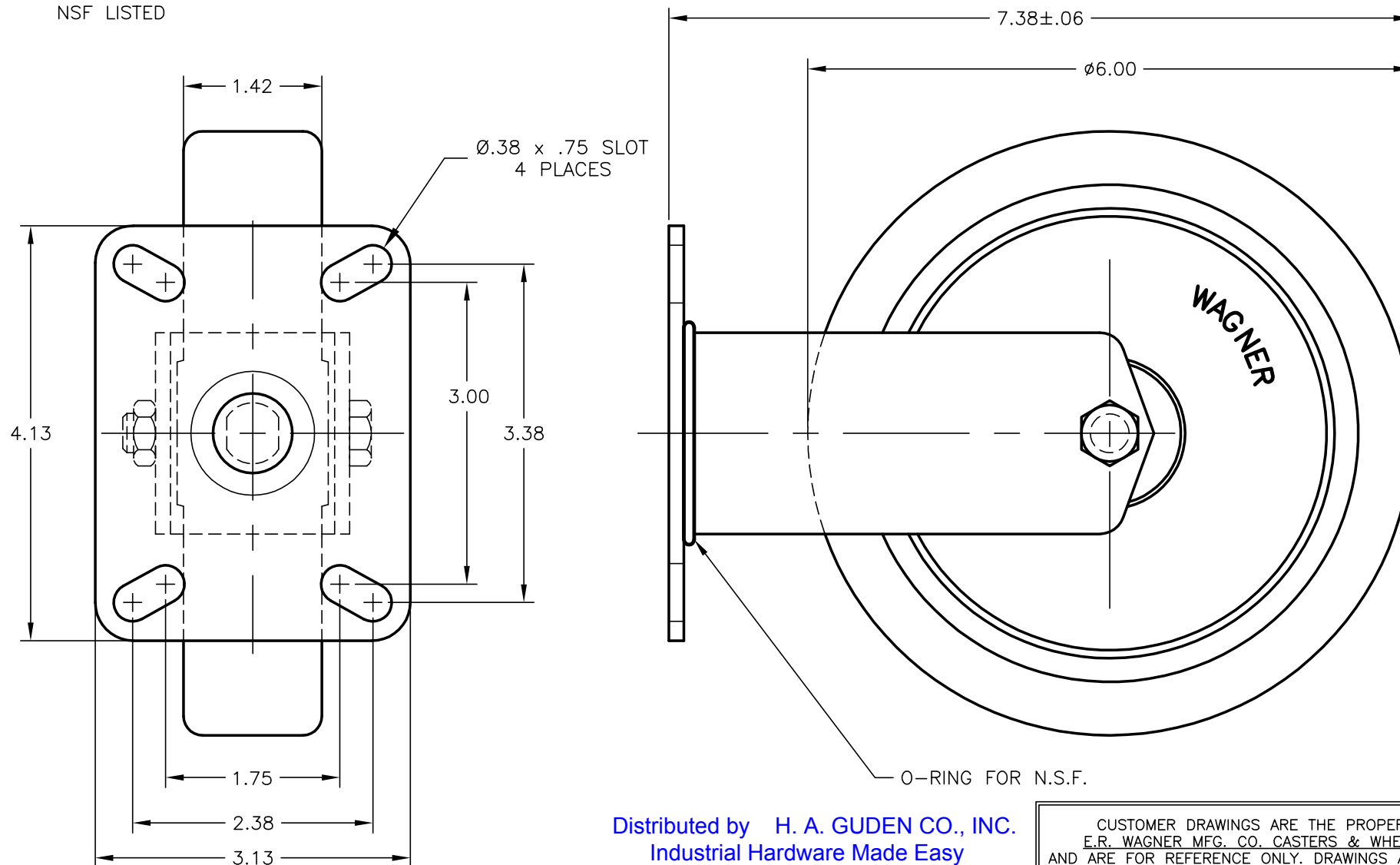
NOTE:

LOAD RATING = 450 LBS.

WHEEL = URETHANE ON POLY CORE

WITH DELRIN BEARING

NSF LISTED



Distributed by **H. A. GUDEN CO., INC.**
 Industrial Hardware Made Easy
guden.com/casters 800-344-6437
info@guden.com 631-737-2900

CUSTOMER DRAWINGS ARE THE PROPERTY OF
 E.R. WAGNER MFG. CO. CASTERS & WHEELS DIV.
 AND ARE FOR REFERENCE ONLY. DRAWINGS ARE SUBJECT
 TO CHANGE WITHOUT NOTIFICATION. ELECTRONIC FILES ARE
 NOT TO BE USED FOR DIMENSIONAL ACCURACY, OR TO BE
 MODIFIED, OR COPIED.