

**E.R. Wagner**  
 CASTERS & WHEELS Manufacturing Co.  
 331 Riverview Drive  
 P.O. Box 405  
 Hustisford, WI 53034-0405

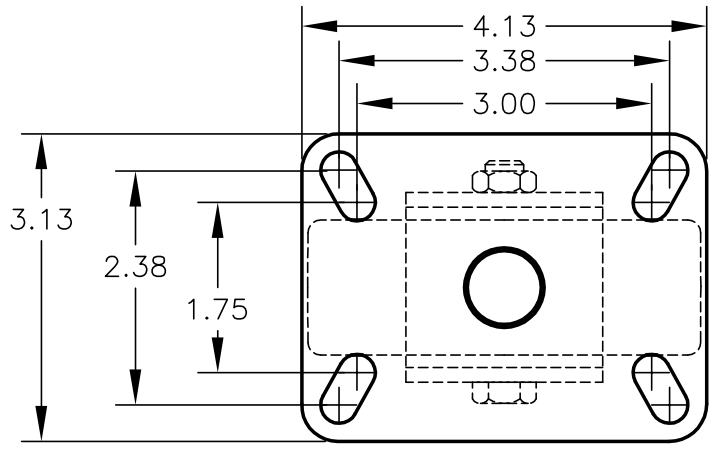
TITLE: CASTER, RIGID, 4 x 1 1/2"  
 MATERIAL:  
 FINISH: NICKEL

TOLERANCES UNLESS OTHERWISE SPECIFIED			
THIRD ANGLE PROJECTION	2 PLACE DECIMALS	3 PLACE DECIMALS	ANGLE
SCALE: 1:2		FIRST USE: 3F23	

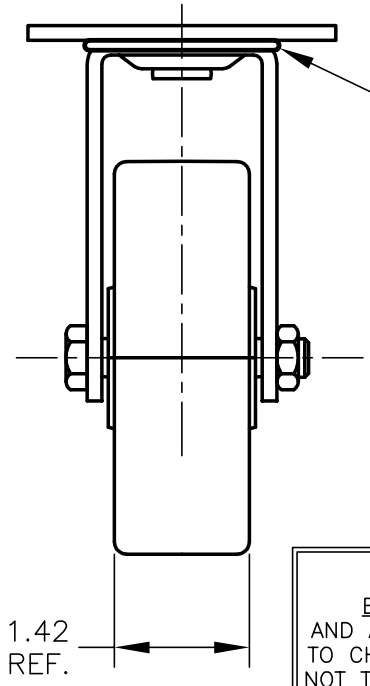
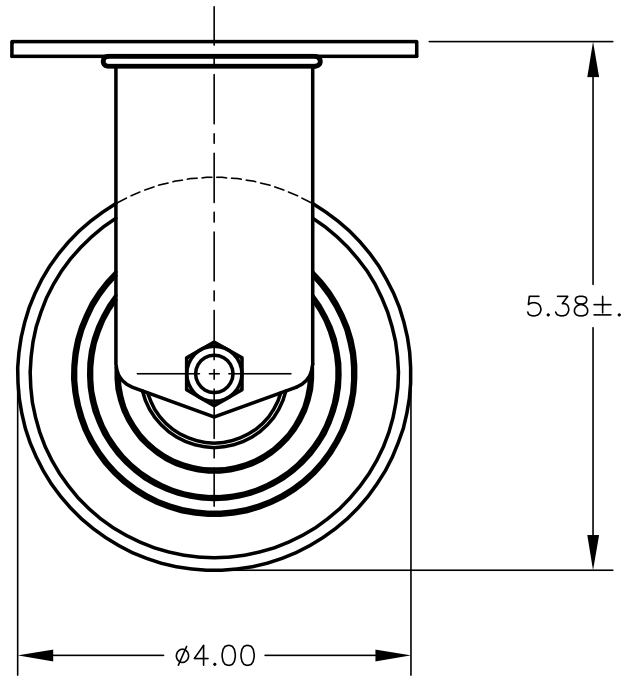
DRAWN: JA  
 DATE: 7/23/12  
 APPROVED: BH  
 DATE: 7/23/12

DWG. No.  
**3F2344B27000797**

(SALES PRINT)  
**CHANGES**



- NOTES:
- 1) LOAD CAPACITY: 375 LBS.
  - 2) POLYPROPYLENE WHEEL



O-RING AND FLAT STAKE  
 FOR N.S.F. APPROVAL

Distributed by **H. A. GUDEN CO., INC.**  
 Industrial Hardware Made Easy  
[guden.com/casters](http://guden.com/casters) 800-344-6437  
[info@guden.com](mailto:info@guden.com) 631-737-2900

CUSTOMER DRAWINGS ARE THE PROPERTY OF  
 E.R. WAGNER MFG. CO. CASTERS & WHEELS DIV.  
 AND ARE FOR REFERENCE ONLY. DRAWINGS ARE SUBJECT  
 TO CHANGE WITHOUT NOTIFICATION. ELECTRONIC FILES ARE  
 NOT TO BE USED FOR DIMENSIONAL ACCURACY, OR TO BE  
 MODIFIED, OR COPIED.