

E.R. Wagner

CASTERS & WHEELS Manufacturing Co.

331 Riverview Drive
P.O. Box 405
Hustisford, WI 53034-0405

TITLE: CASTER, RIGID, 4 x 1 3/8"

MATERIAL:

FINISH: NICKEL PLATE

TOLERANCES

UNLESS OTHERWISE SPECIFIED

| THIRD ANGLE PROJECTION | 2 PLACE DECIMALS | 3 PLACE DECIMALS | ANGLE |
|------------------------|------------------|------------------|-------|
| | | | |



SCALE: 1:2

FIRST USE: 3F23

DRAWN: BH

DATE: 3/11/02

APPROVED:

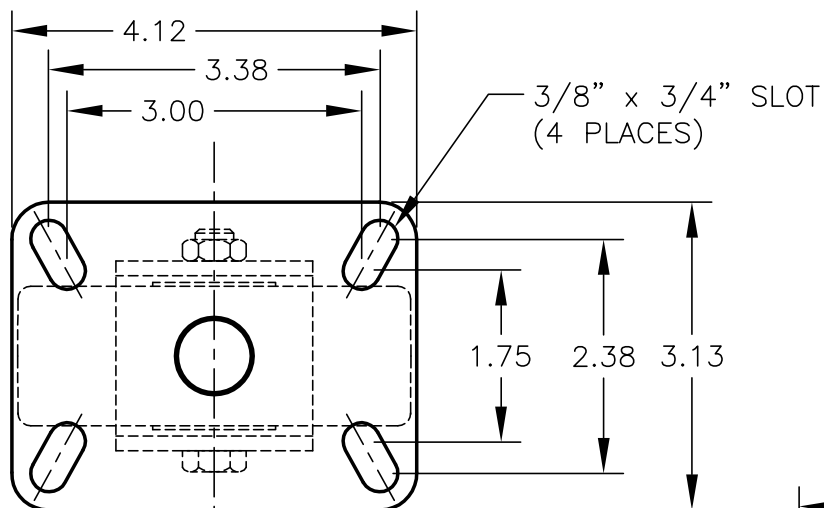
DATE:

DWG. No.

3F2344B25000797

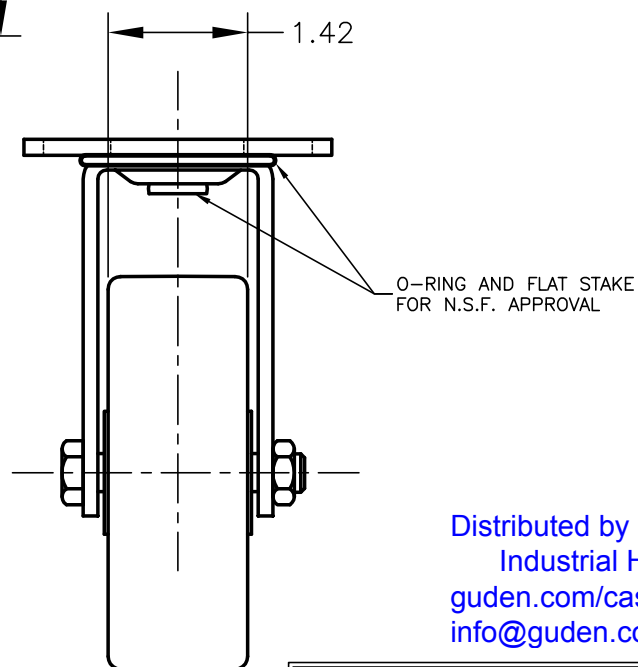
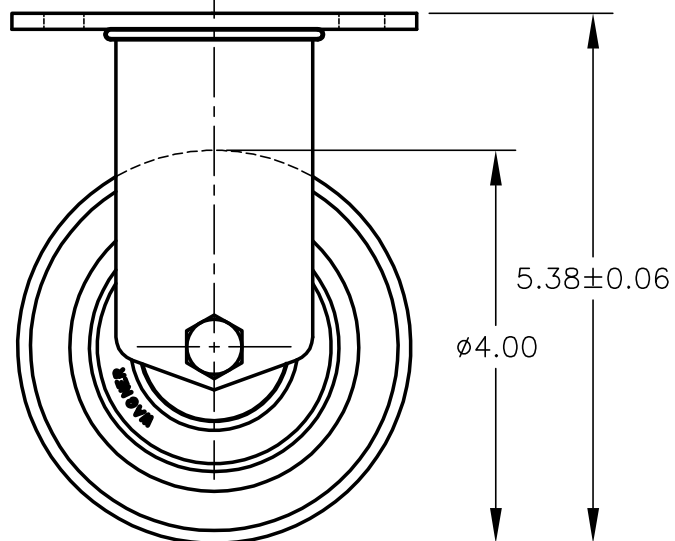
A

(SALES PRINT)

CHANGES

NOTES:

- 1) LOAD CAPACITY: 375 LBS.
- 2) POLY II URETHANE WHEEL WITH DELRIN BEARING



Distributed by **H. A. GUDEN CO., INC.**
Industrial Hardware Made Easy
guden.com/casters 800-344-6437
info@guden.com 631-737-2900

CUSTOMER DRAWINGS ARE THE PROPERTY OF
E.R. WAGNER MFG. CO. CASTERS & WHEELS DIV.
AND ARE FOR REFERENCE ONLY. DRAWINGS ARE SUBJECT
TO CHANGE WITHOUT NOTIFICATION. ELECTRONIC FILES ARE
NOT TO BE USED FOR DIMENSIONAL ACCURACY, OR TO BE
MODIFIED, OR COPIED.