

**E.R. Wagner**

CASTERS &amp; WHEELS Manufacturing Co.

331 Riverview Drive  
P.O. Box 405  
Hustisford, WI 53034-0405

TITLE: RIG, RIGID, 3 1/2" x 1 1/4"

MATERIAL:

FINISH: ZINC PLATE

**TOLERANCES**  
UNLESS OTHERWISE SPECIFIED

THIRD ANGLE PROJECTION	2 PLACE DECIMALS	3 PLACE DECIMALS	ANGLE

SCALE: 1:1.5

FIRST USE: 3F

DRAWN: BH

DATE: 10/27/05

APPROVED:

DATE:

DWG. No.

**3F0349B270001AM**

A

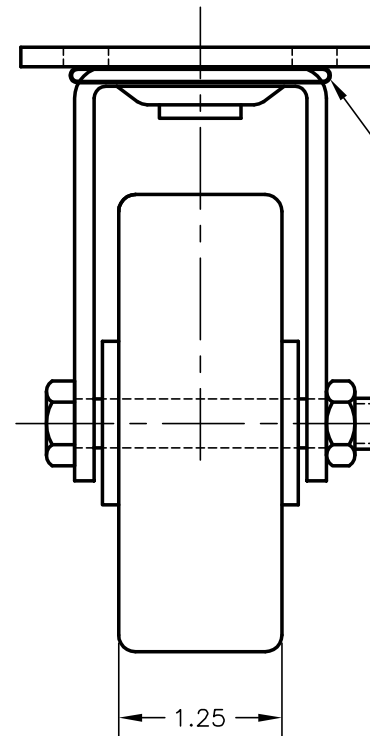
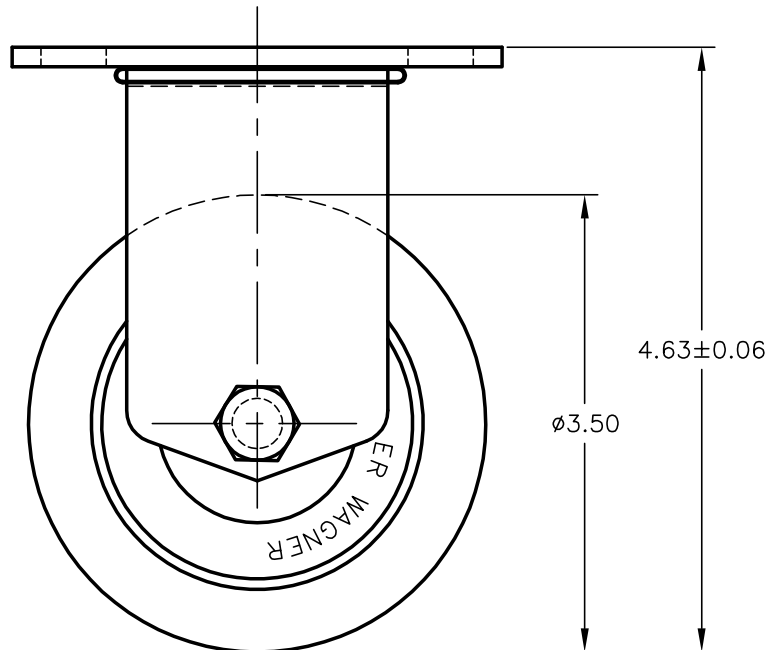
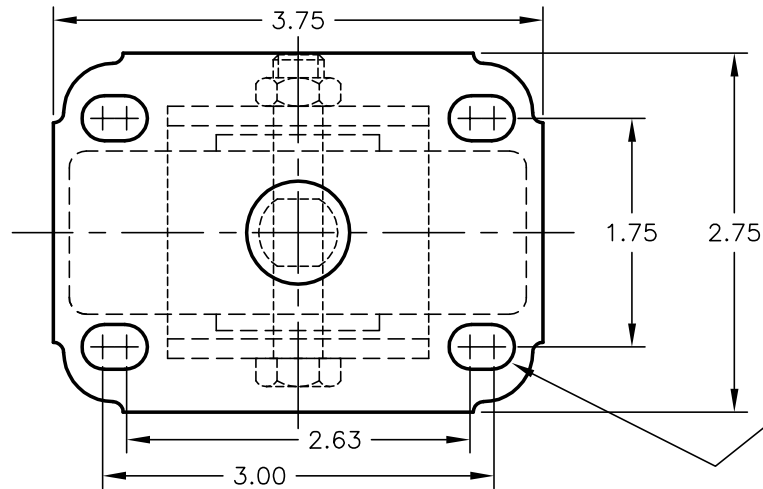
(SALES PRINT)

**CHANGES**

## NOTES:

1. LOAD RATING = 250#
2. WHEEL = BLACK POLYPROPYLENE  
DELTRIN BEARING
3. N.S.F. CERTIFIED

11/32 WIDE SLOT  
(4 PLACES)



O-RING AND FLAT STAKE  
FOR N.S.F. APPROVAL

Distributed by **H. A. GUDEN CO., INC.**  
Industrial Hardware Made Easy  
[guden.com/casters](http://guden.com/casters) 800-344-6437  
[info@guden.com](mailto:info@guden.com) 631-737-2900

CUSTOMER DRAWINGS ARE THE PROPERTY OF  
E.R. WAGNER MFG. CO. CASTERS & WHEELS DIV.  
AND ARE FOR REFERENCE ONLY. DRAWINGS ARE SUBJECT  
TO CHANGE WITHOUT NOTIFICATION. ELECTRONIC FILES ARE  
NOT TO BE USED FOR DIMENSIONAL ACCURACY, OR TO BE  
MODIFIED, OR COPIED.