

ER Wagner
 CASTERS & WHEELS Manufacturing Co.
 331 Riverview Drive
 P.O. Box 405
 Hustisford, WI 53034-0405

TITLE: CASTER, 3" X 1-1/4", POST SWIVEL W/BRAKE
 MATERIAL: LOW CARBON STEEL ①
 FINISH: ZINC PLATE

TOLERANCES
 UNLESS OTHERWISE SPECIFIED

THIRD ANGLE PROJECTION	2 PLACE DECIMALS	3 PLACE DECIMALS	ANGLE

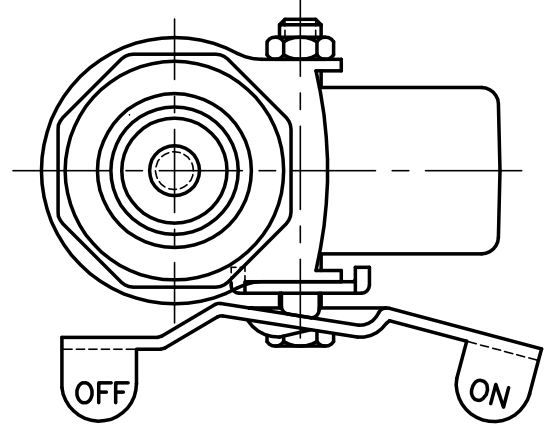
SCALE 1:1 DATE 4/7/97

DRAWN: STB
 CHECKED: BH
 APPROVED:
 FIRST USE: 99

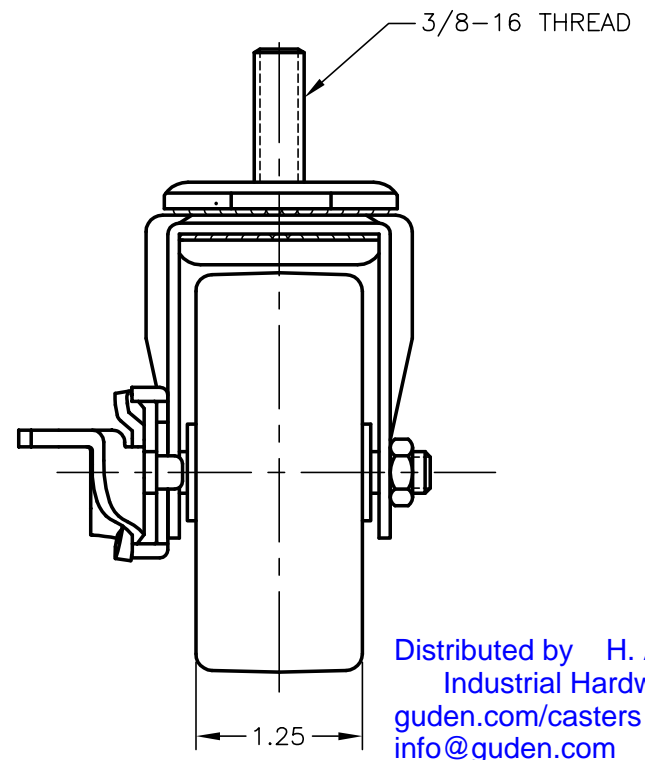
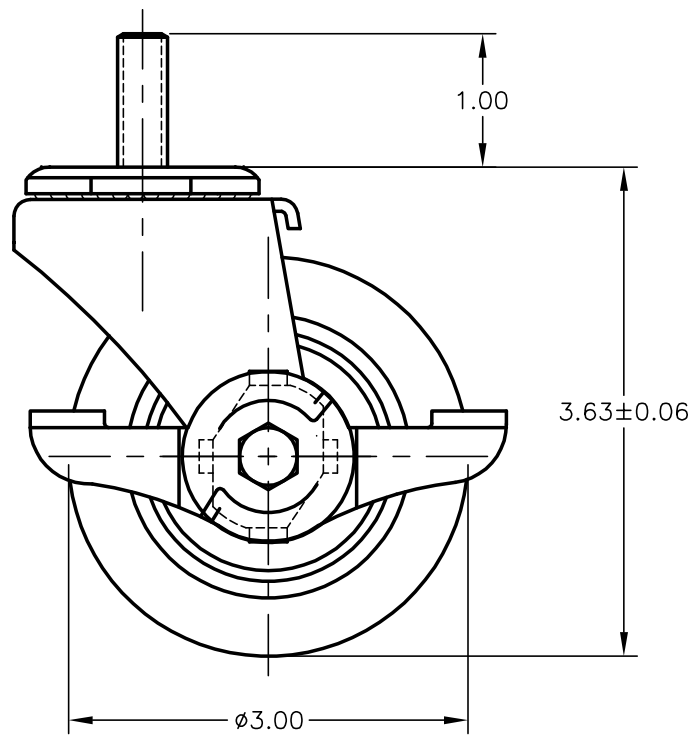
DWG. No. **2F9903B26002104** B

CHANGES

1	ADD BRAKE TO TITLE; CHANGE SWIVEL RADIUS WAS 3.13" 12/4/13
---	--



NOTES:
 ① 1) SWIVEL RADIUS: 2.94" (INCLUDING BRAKE)
 2) LOAD CAPACITY: 125 LBS.



Distributed by **H. A. GUDEN CO., INC.**
 Industrial Hardware Made Easy
guden.com/casters 800-344-6437
info@guden.com 631-737-2900