

E.R. Wagner
CASTERS & WHEELS Manufacturing Co.
 331 Riverview Drive
 P.O. Box 405
 Hustisford, WI 53034-0405

TITLE: CASTER, SWIVEL, PLATE W/ BRAKE

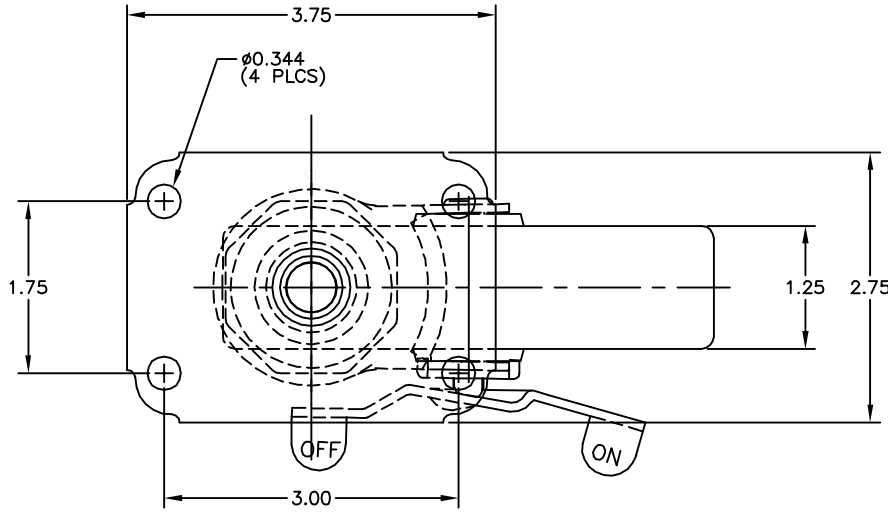
MATERIAL:

FINISH: ZINC PLATE

TOLERANCES UNLESS OTHERWISE SPECIFIED			
THIRD ANGLE PROJECTION	2 PLACE DECIMALS	3 PLACE DECIMALS	ANGLE
SCALE: 1:2		FIRST USE:	

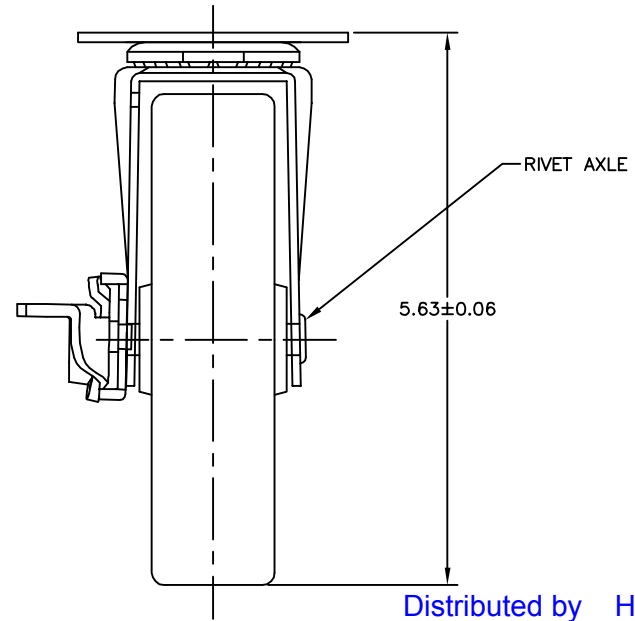
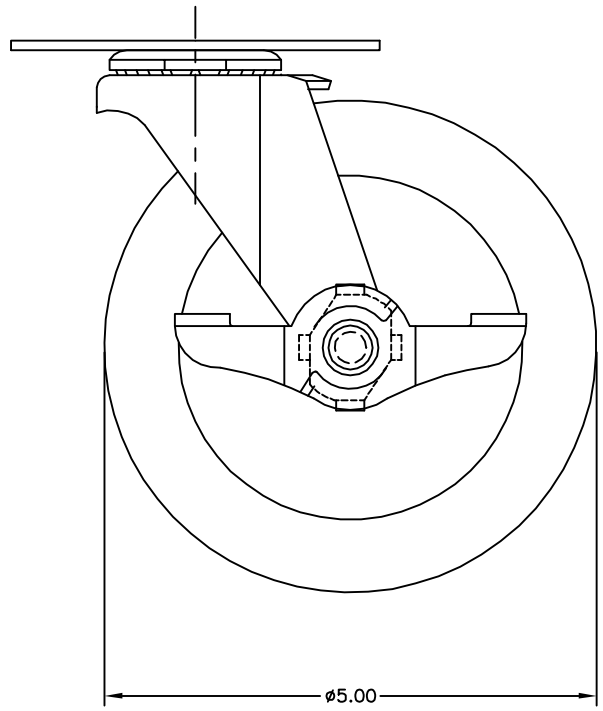
DRAWN: JA
 DATE: 6/2/14
 APPROVED:
 DATE:

DWG. No. **2F9855027002100**
 A
 CHANGES



CUSTOMER DRAWINGS ARE THE PROPERTY OF E.R. WAGNER MFG. CO. CASTERS & WHEELS DIV. AND ARE FOR REFERENCE ONLY. DRAWINGS ARE SUBJECT TO CHANGE WITHOUT NOTIFICATION. ELECTRONIC FILES ARE NOT TO BE USED FOR DIMENSIONAL ACCURACY, OR TO BE MODIFIED, OR COPIED.

NOTES:
 WHEEL = BLACK POLYPROPYLENE WITH PLAIN BORE
 LOAD RATING = 280lbs
 SWIVEL RADIUS = $4\frac{1}{8}$ "



Distributed by **H. A. GUDEN CO., INC.**
 Industrial Hardware Made Easy
guden.com/casters 800-344-6437
info@guden.com 631-737-2900