

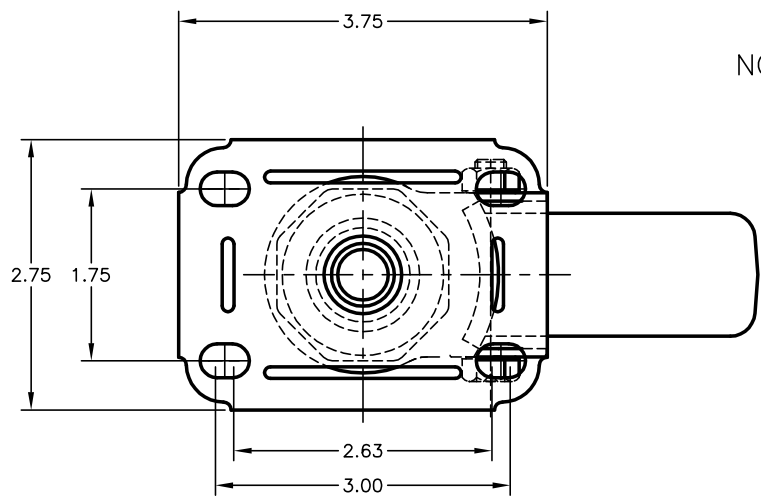
E.R. Wagner
 CASTERS & WHEELS Manufacturing Co.
 331 Riverview Drive
 P.O. Box 405
 Hustisford, WI 53034-0405

TITLE: CASTER, SWIVEL
 MATERIAL:
 FINISH: ZINC PLATE

TOLERANCES UNLESS OTHERWISE SPECIFIED			
THIRD ANGLE PROJECTION	2 PLACE DECIMALS	3 PLACE DECIMALS	ANGLE
SCALE: 1:2		FIRST USE: 98	

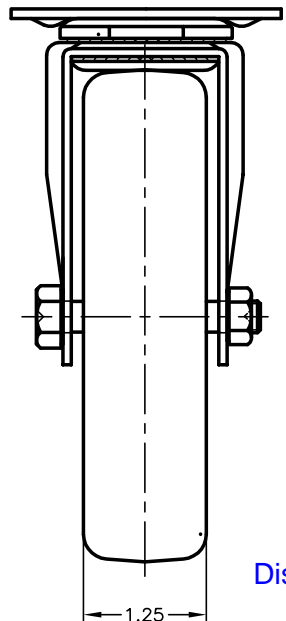
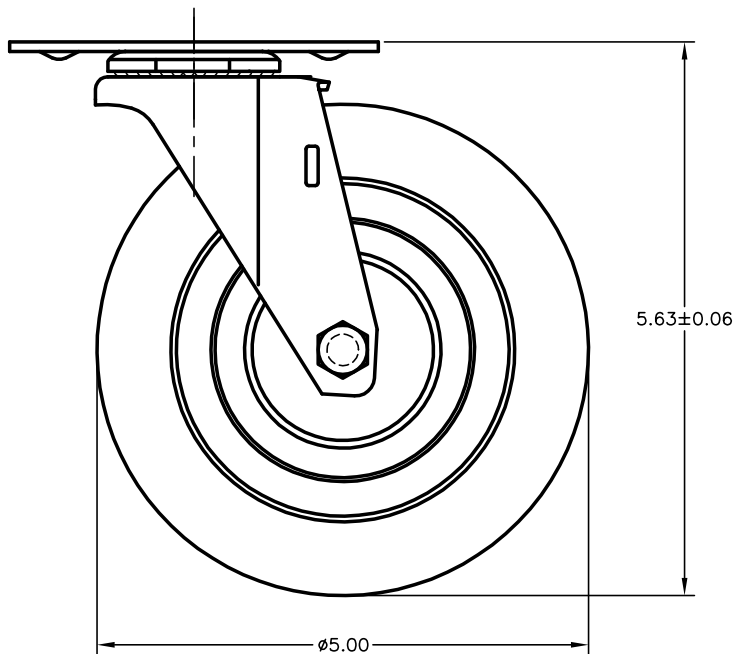
DRAWN: JA
 DATE: 10/9/13
 APPROVED:
 DATE:

DWG. No. **2F9805B260001AM**
CHANGES



NOTES:
 WHEEL = GRAY TPR TREAD
 ON GRAY POLYPROPYLENE
 HUB WITH DELRIN BEARING
 SWIVEL RADIUS = 4-1/8"
 LOAD CAPACITY = 280 Lbs

**CUSTOMER DRAWINGS ARE THE PROPERTY OF
 E.R. WAGNER MFG. CO. CASTERS & WHEELS DIV.
 AND ARE FOR REFERENCE ONLY. DRAWINGS ARE SUBJECT
 TO CHANGE WITHOUT NOTIFICATION. ELECTRONIC FILES ARE
 NOT TO BE USED FOR DIMENSIONAL ACCURACY, OR TO BE
 MODIFIED, OR COPIED.**



Distributed by **H. A. GUDEN CO., INC.**
 Industrial Hardware Made Easy
guden.com/casters 800-344-6437
info@guden.com 631-737-2900