

**E.R. Wagner**  
 CASTERS & WHEELS Manufacturing Co.  
 331 Riverview Drive  
 P.O. Box 405  
 Hustisford, WI 53034-0405

TITLE: CASTER, SWIVEL, 5 x 1, '00' PLATE

MATERIAL:

FINISH: ZINC PLATE

**TOLERANCES**  
 UNLESS OTHERWISE SPECIFIED

THIRD ANGLE PROJECTION	2 PLACE DECIMALS	3 PLACE DECIMALS	ANGLE
SCALE: 1:1.5		FIRST USE:	

DRAWN: BH

DATE: 5/12/06

APPROVED: AAM

DATE: 5/12/06

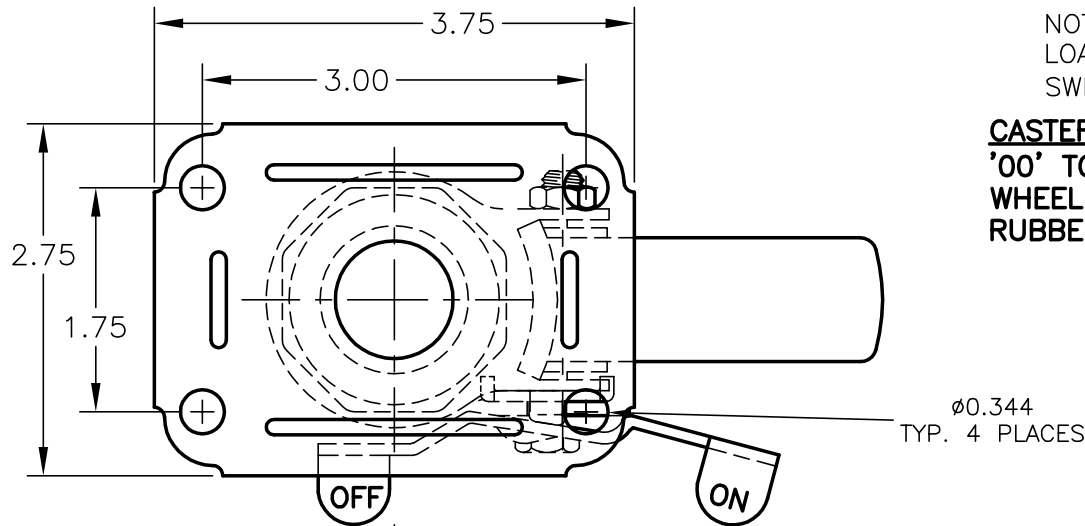
DWG. No.

**2F6805004002100**

A

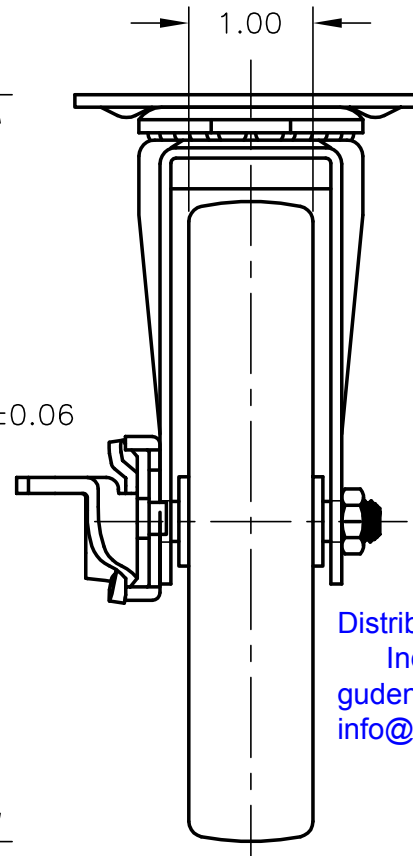
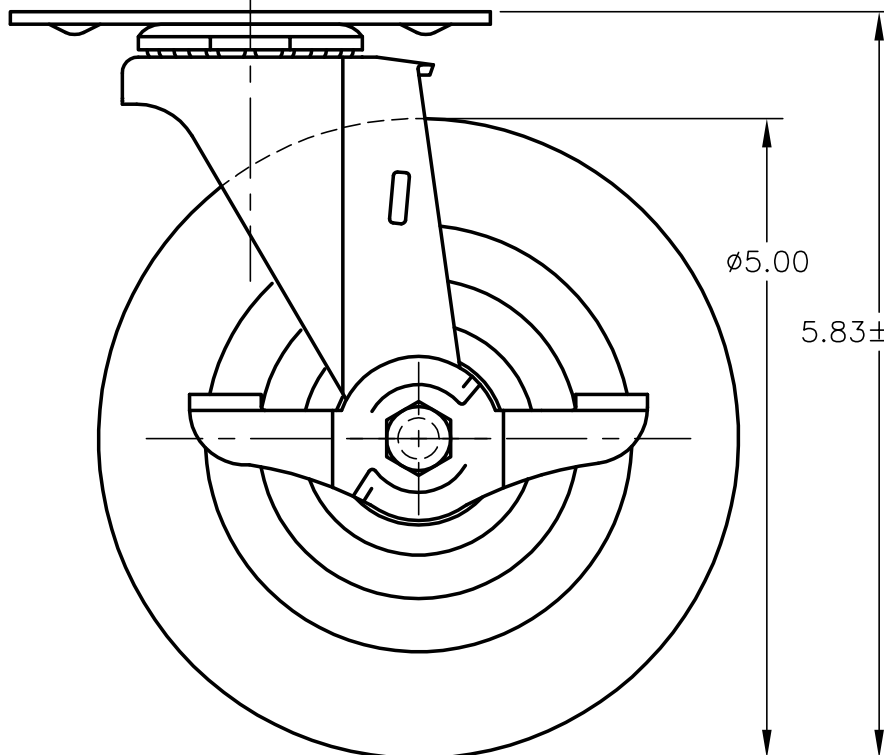
(SALES PRINT)

**CHANGES**



NOTE:  
 LOAD RATING = 125 LBS.  
 SWIVEL RADIUS = 4"

**CASTER ASSEMBLY 5 x 1 SWIVEL**  
 '00' TOP PLATE  
 WHEEL = SOFT RUBBER TREAD ON HARD RUBBER CORE, BLACK, WITH DELRIN BEARING



Distributed by **H. A. GUDEN CO., INC.**  
 Industrial Hardware Made Easy  
[guden.com/casters](http://guden.com/casters) 800-344-6437  
[info@guden.com](mailto:info@guden.com) 631-737-2900

CUSTOMER DRAWINGS ARE THE PROPERTY OF  
 E. R. WAGNER MFG. CO. CASTERS & WHEELS DIV.  
 AND ARE FOR REFERENCE ONLY. DRAWINGS ARE SUBJECT  
 TO CHANGE WITHOUT NOTIFICATION. ELECTRONIC FILES ARE  
 NOT TO BE USED FOR DIMENSIONAL ACCURACY, OR TO BE  
 MODIFIED, OR COPIED.