

**E.R. Wagner**  
 CASTERS & WHEELS Manufacturing Co.  
 331 Riverview Drive  
 P.O. Box 405  
 Hustisford, WI 53034-0405

TITLE: CASTER, 3 x 1 SWIVEL, PLATE

MATERIAL:

FINISH: ZINC PLATE

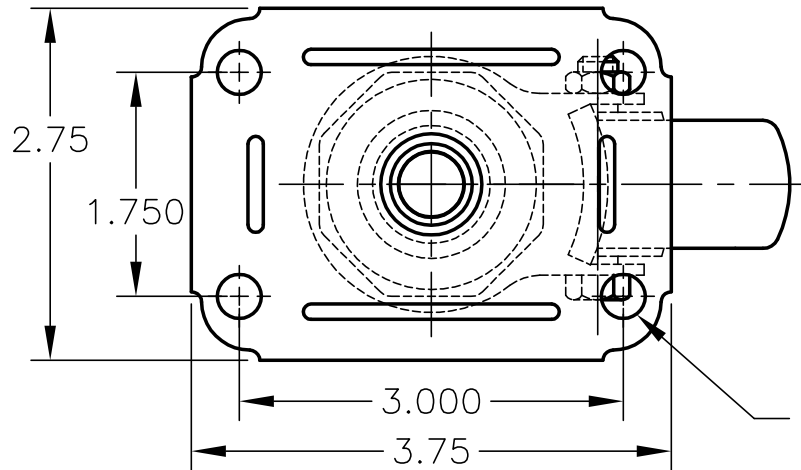
**TOLERANCES**  
 UNLESS OTHERWISE SPECIFIED

THIRD ANGLE PROJECTION	2 PLACE DECIMALS	3 PLACE DECIMALS	ANGLE
	±.02	±.010	±3°
SCALE: NTS		FIRST USE:	

DRAWN: J A  
 DATE: 10/08/09  
 APPROVED: B H  
 DATE: 10/08/09

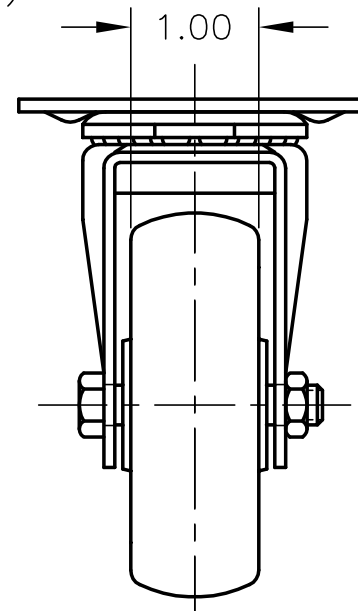
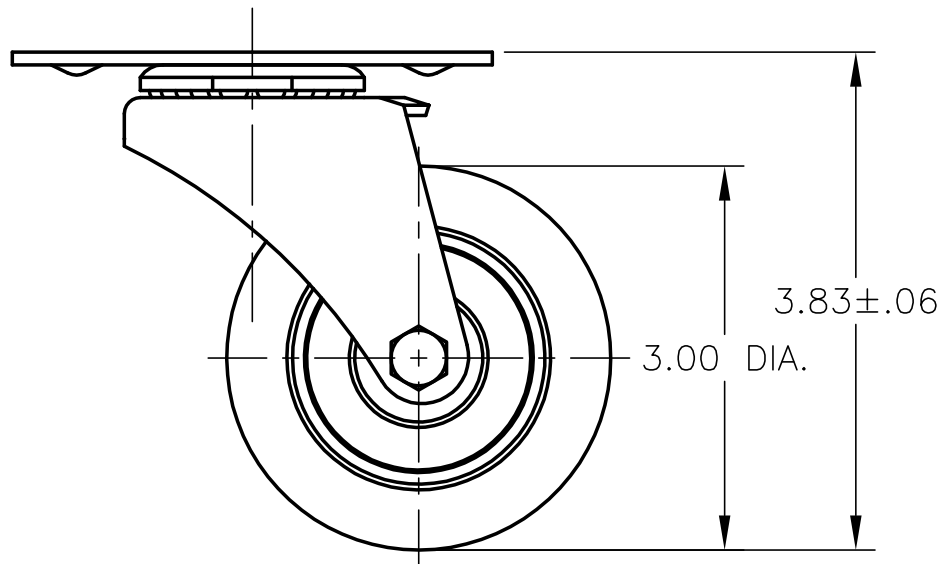
DWG. No. **2F6803027000100**

SALES PRINT  
**CHANGES**



NOTES:

- 1) LOAD CAPACITY: 125 lbs.
- 2) SWIVEL RADIUS: 2 3/4"
- 3) WHEEL: POLYPROPYLENE  
PLAIN BORE



Distributed by **H. A. GUDEN CO., INC.**  
 Industrial Hardware Made Easy  
[guden.com/casters](http://guden.com/casters) 800-344-6437  
[info@guden.com](mailto:info@guden.com) 631-737-2900

CUSTOMER DRAWINGS ARE THE PROPERTY OF  
 E.R. WAGNER MFG. CO. CASTERS & WHEELS DIV.  
 AND ARE FOR REFERENCE ONLY. DRAWINGS ARE SUBJECT  
 TO CHANGE WITHOUT NOTIFICATION. ELECTRONIC FILES ARE  
 NOT TO BE USED FOR DIMENSIONAL ACCURACY, OR TO BE  
 MODIFIED, OR COPIED.