

E.R. Wagner
 CASTERS & WHEELS Manufacturing Co.
 331 Riverview Drive
 P.O. Box 405
 Hustisford, WI 53034-0405

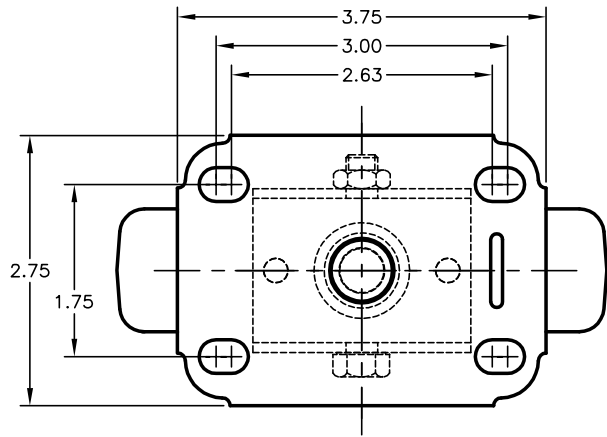
TITLE: CASTER, 5 x 1 1/4, PLATE RIGID
 MATERIAL:
 FINISH: ZINC PLATE

TOLERANCES
 UNLESS OTHERWISE SPECIFIED

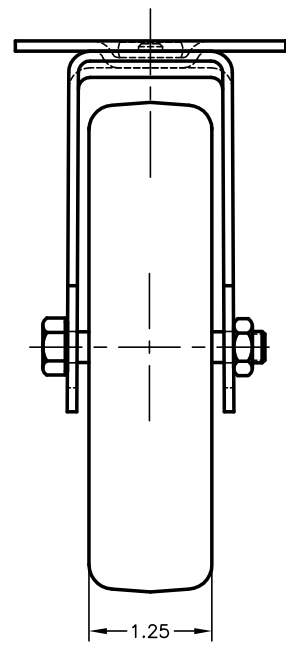
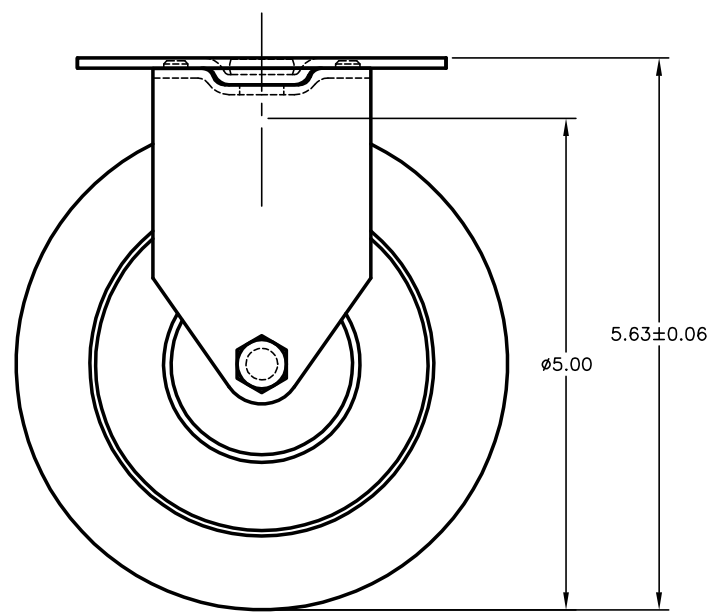
THIRD ANGLE PROJECTION	2 PLACE DECIMALS	3 PLACE DECIMALS	ANGLE

SCALE: 1:2 FIRST USE:

DRAWN: JA DWG. No. 1F9305B260001AM
 DATE: 10/9/13
 APPROVED:
 DATE:
 (SALES PRINT)
CHANGES



NOTES:
 WHEEL = GRAY TPR TREAD ON
 GRAY POLYPROPYLENE HUB WITH
 DELRIN BEARING
 LOAD CAPACITY = 280 Lbs.



Distributed by H. A. GUDEN CO., INC.
 Industrial Hardware Made Easy
guden.com/casters 800-344-6437
info@guden.com 631-737-2900

CUSTOMER DRAWINGS ARE THE PROPERTY OF
 E.R. WAGNER MFG. CO. CASTERS & WHEELS DIV.
 AND ARE FOR REFERENCE ONLY. DRAWINGS ARE SUBJECT
 TO CHANGE WITHOUT NOTIFICATION. ELECTRONIC FILES ARE
 NOT TO BE USED FOR DIMENSIONAL ACCURACY, OR TO BE
 MODIFIED, OR COPIED.