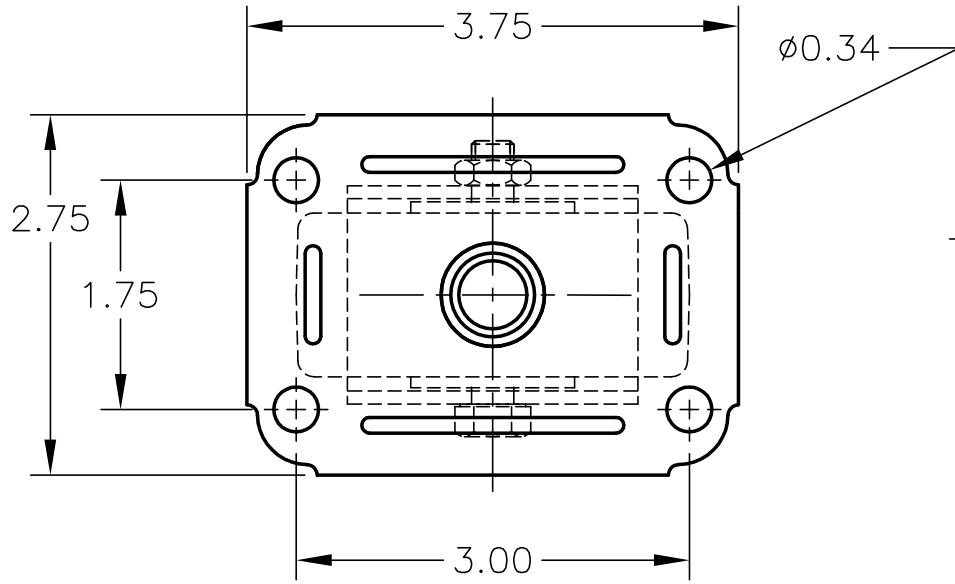


TITLE: CASTER, RIGID, 3 x 1 1/4
 MATERIAL:
 FINISH: ZINC PLATE

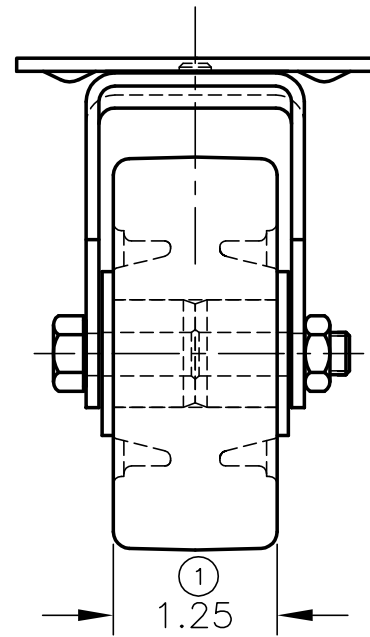
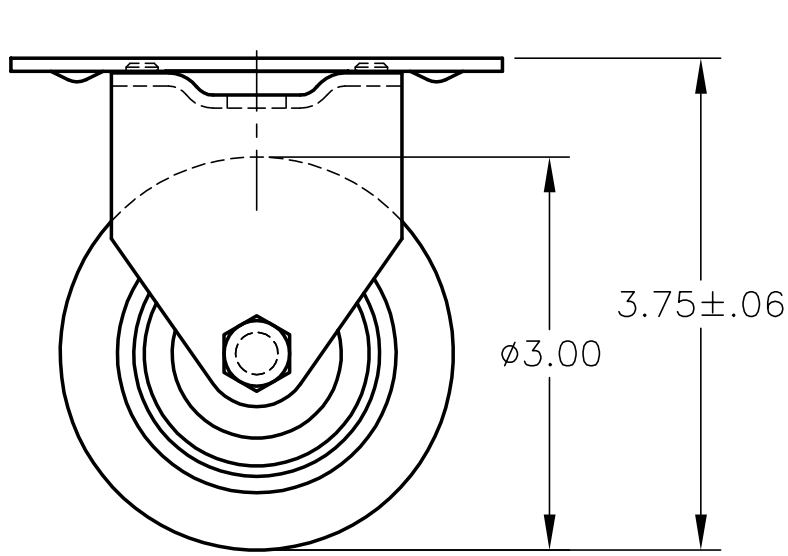
TOLERANCES UNLESS OTHERWISE SPECIFIED			
THIRD ANGLE PROJECTION	2 PLACE DECIMALS	3 PLACE DECIMALS	ANGLE
SCALE: 1:1.5		FIRST USE:	

DRAWN: J A
 DATE: 10/9/13
 APPROVED:
 DATE:
 DWG. No. **1F9303B26000100**
 (SALES PRINT)
CHANGES

1 ADD TREAD WIDTH 1.25
 12/4/13



- NOTES:
- 1) LOAD CAPACITY: 210lbs.
 - 2) WHEEL IS GRAY TPR TREAD ON GRAY POLY HUB WITH DELRIN BEARING



Distributed by H. A. GUDEN CO., INC.
 Industrial Hardware Made Easy
guden.com/casters 800-344-6437
info@guden.com 631-737-2900